

## IPEX MHF I (f) to SMA(f), LP-088, 20 cm AM-88-IS20



SECTRON company offers a wide portfolio of high-quality handmade cable adaptors in various versions for M2M applications.

SECTRON product portfolio includes brand connectors and coaxial cables in diameters from 0.8 mm to 10 mm suitable for frequencies up to 6 GHz. Using the latest technologies and our experience in the field, we will manufacture and test each RF cable adaptor exactly for your device.

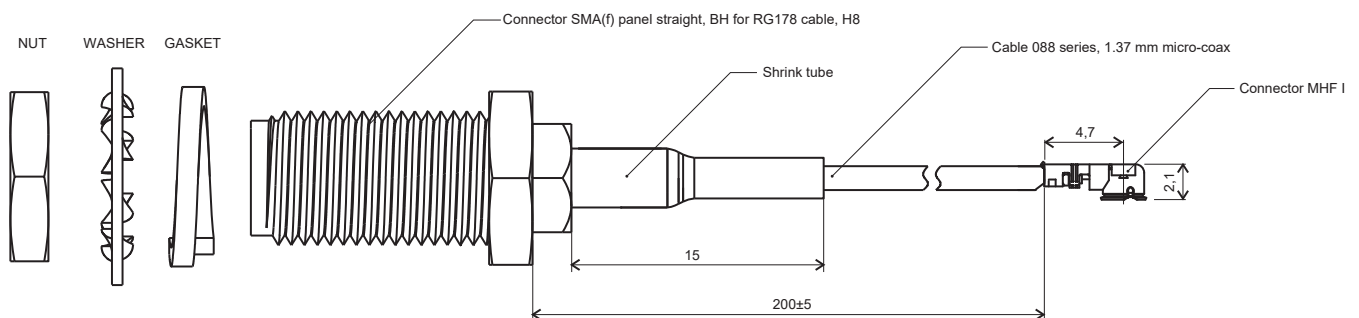
### BENEFITS

- High reliability thanks to precise design
- Low Insertion loss
- Low VSWR

### FEATURES

Frequency range	Up to 3 GHz
Impedance	$50 \pm 2 \text{ Ohm}$
Maximum VSWR	$< 1.6:1 / 3 \text{ GHz}$
Max. Insertion Loss	$-0.9 \text{ dB} / 3 \text{ GHz}$
Voltage power	30 V
Maximum operating voltage	200 V AC/1 min
Cable type	Cable 088 series, Diameter 1.37 mm micro coax
Cable length	0.2 m
Connector type A	SMA(f) panel straight, BH for RG178 cable, H8
Connector type B	IPEX MHF I for AWG30 ( $\varnothing 1.37 \text{ mm}$ )
Operating temperature	$-40 \text{ }^\circ\text{C}$ to $+85 \text{ }^\circ\text{C}$
Weight	4.29 g
Certification	RoHS

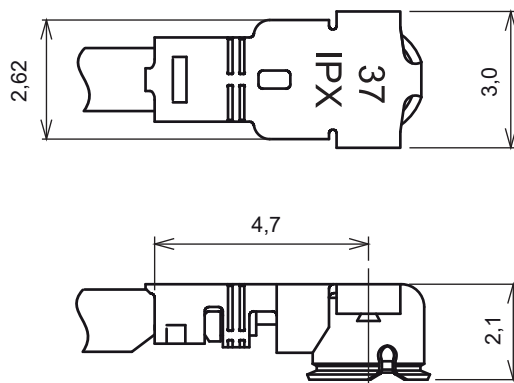
### DRAWING - ADAPTOR



UNIT: mm

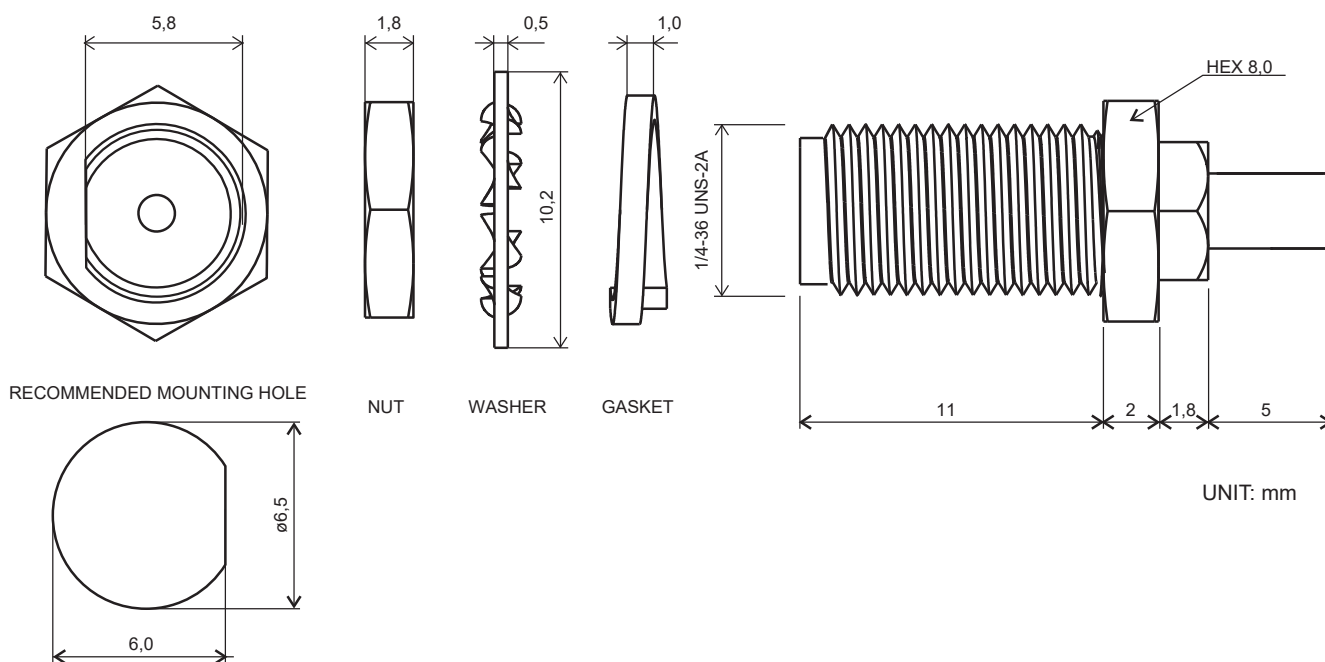
# CONNECTORS PARAMETERS

## IPEX MHF I connector



UNIT: mm

## Connector SMA(f) panel straight, BH for RG178 cable, H8



UNIT: mm

### IPEX MHF1 connector material

Contact	Copper Alloy, Gold plated
Ground Contact	Copper Alloy, Gold plated
Housing	Polybutylene terephthalate (PBT) (UL94 V-0)
Mating Cycles	30 cycles

### SMA connector material

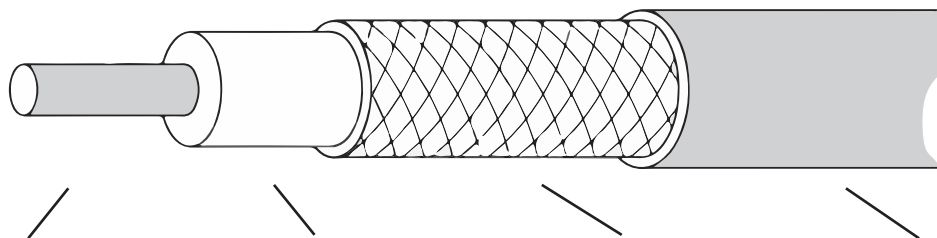
Body	Brass, Gold plated
Center pin	Phosphor Bronze, Gold plated
Gasket	Brass, Gold plated
Ferrule	Brass, Gold plated
Insulator	Teflon
Washer	Brass, Gold plated
Nut	Brass, Gold plated
Mating Cycles	500 cycles

CZ: +420 556 621 030  
INT: +420 556 621 020

CZ: obchod@sectron.cz  
INT: sales@sectron.cz

SECTRON s.r.o.  
Josefa Šavla 12, 709 00 Ostrava, Czech Republic

## CABLE PARAMETERS

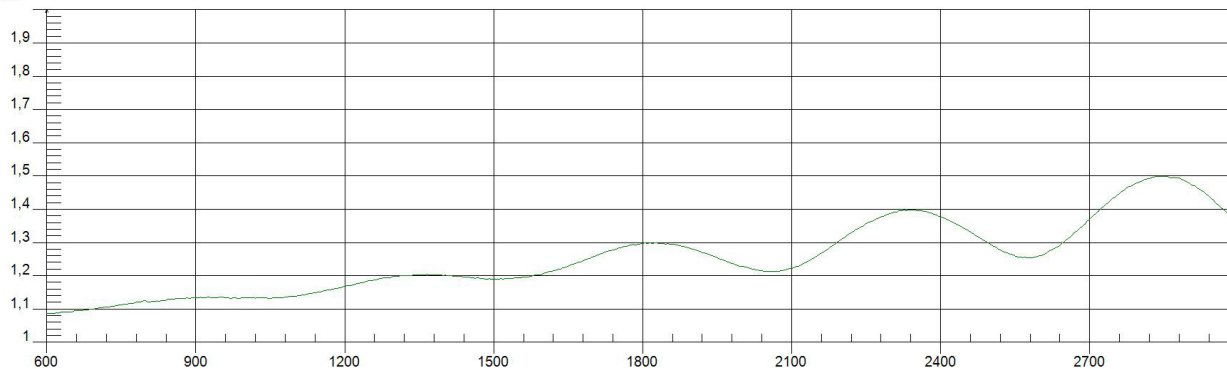


Inner Conductor	Insulation	Braid shield	Jacket
Material: Silver-plated Cu wire	Material: FEP	Material: Tinned Cu wire	Material: FEP
Stranding: 7×0.102 mm		Type braid: 16×6×0.05 mm	
Outer diameter: 0.306±0.02 mm	Outer diameter: 0.9±0.03 mm	Outer diameter: 1.13±0.05 mm	Outer diameter: 1.37±0.1 mm

## ADAPTOR MEASUREMENT

**GRAPH VSWR - VOLTAGE STANDING WAVE RATIO [-]**

VSWR



**GRAPH S12 - INSERTION LOSS [dB]**

dB

