



LTE ANTENNA

Antenna LTE Magnet Mount 90
Set, Connectorised Base,
SMA(m)/SMA RA(m)
Cable Extension H155/1.5m

AO-ALTE-MG9SR150

SECTRON company offers a wide portfolio of LTE antennas with various versions differing in shape, level of gain and manner of attachment. SECTRON guarantees a compatible connection between an antenna and all antenna adaptors produced by SECTRON.

BENEFITS

- Low VSWR
- Gain
- Multiband antenna

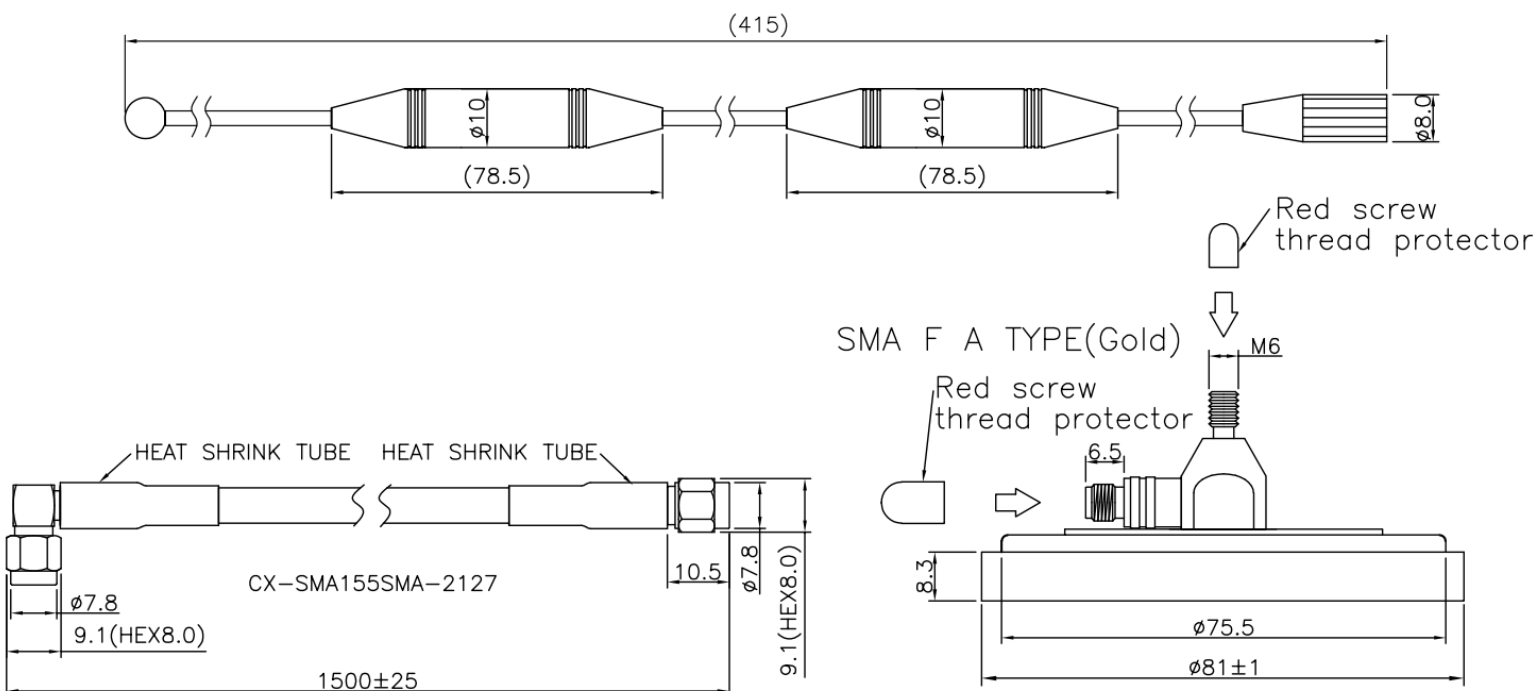


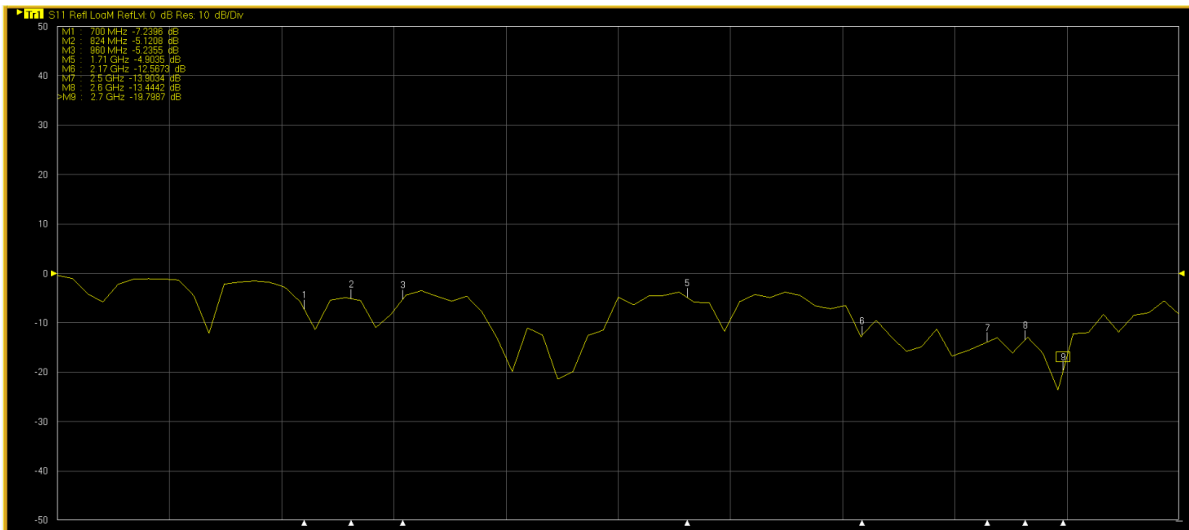
FEATURES

AO-ALTE-MG9SR150

Technology	LTE
Frequency bands	700-960/1710-2170/2500-2700 MHz
Bandwidth	-
Gain	5 dBi
VSWR	<2.0:1
Impedance	50 Ohm
Directivity	Omnidirectional
Beam angle	Attached graphs bellow
Polarization	Linear
Maximum input power	10 W
Power voltage	-
Dimensions	∅ 81.0 x 415.0 mm
Weight	291.2 g
Operating temperature	-40 to +85 °C
Execution	External
Method of attachment	Magnet Mount
Cable type	H155
The cable length	1.5 m
Cable extension connector type	SMA(m)/SMA(m) RA
Base connector type	2x SMA(f)
Certification	RoHS/ISO9001/ISO14001
Material	ABS

DRAWING



S_{11} – Return Loss [dB]

VARIANTS

Different connector variants or cable lengths are available on request.

CONTACTS

SECTRON s.r.o. Josefa Šavla 1271/12
709 00 Ostrava 9, Czech Republic

WWW.SECTRON.CZ
Tel.: +420 556 621 020