



GSM ANTENNA

Antenna GSM Magnetic 25,
2.5dBi, SMA(m), RG174 5m

AO-AGSM-MG25

SECTRON company offers wide portfolio GSM antennas with various versions differing in shape, level of gain or attachment manner. SECTRON guarantees compatible connection between antenna and all antenna adaptors produced by SECTRON.

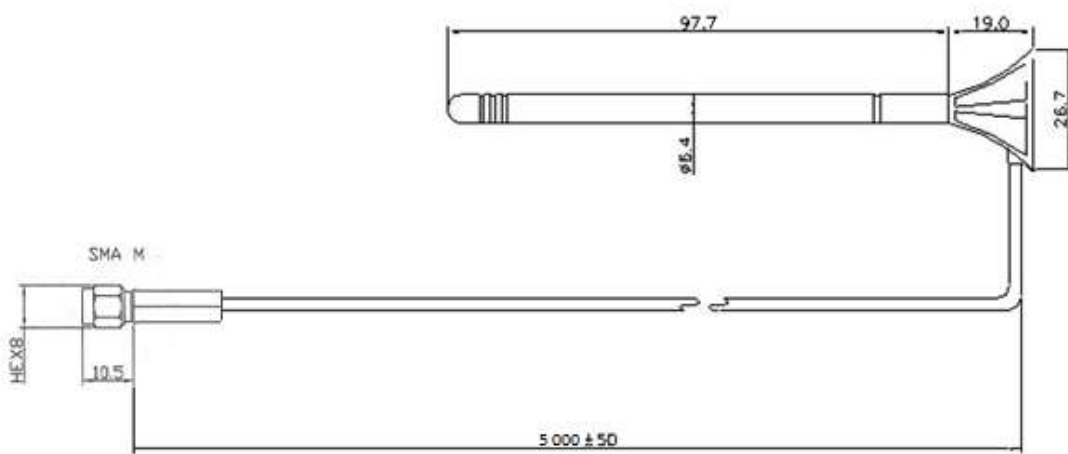
BENEFITS

- Easy installation
- Omnidirectional - suitable for moving devices



Technology	GSM
Frequency bands	900, 1800 MHz
Bandwidth	-
Gain	2.5 dBi
VSWR	<2.5: 1
Impedance	50 ohm
Directivity	Omnidirectional
Beam angle	H 360° V 30°
Polarization	Vertical
Maximum input power	10 W
Power voltage	-
Dimensions	26.7 x 116.7 mm
Weight	64.71 g
Operating temperature	-30 to +90 ° C
Execution	External
Method of attachment	Magnetic
Cable type	RG174 / U
The cable length	5 m
Connector type	SMA (m)

DRAWING



Units: mm

VARIANT	PART NUMBER

CONTACTS

SECTRON s.r.o. Josefa Šavla 1271/12
709 00 Ostrava 9, Czech Republic

WWW.SECTRON.CZ
Tel.: +420 556 621 021