

12V, 1.25A - YDR-15-12

MAIN FEATURES:

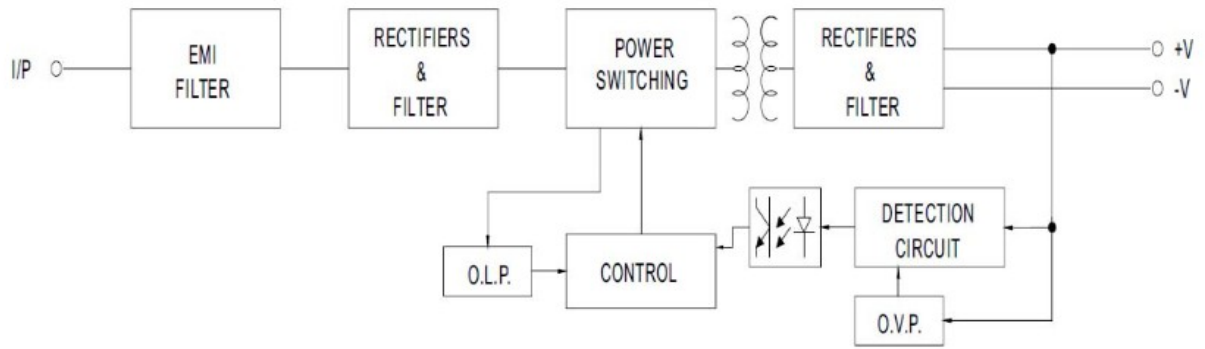
- DIN Rail power supply
- Long life capacitors
- Adjustable output voltage
- Small form factor
- 3 years warranty



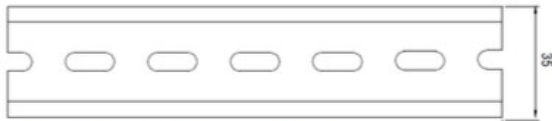
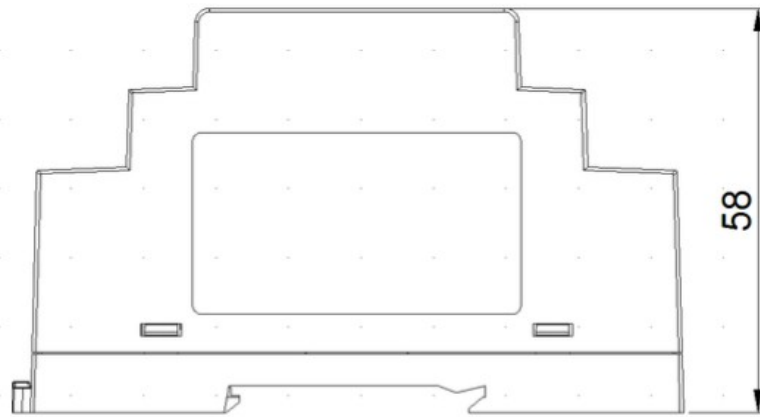
YDR-15-12

Output	DC Voltage	12V	
	Rated Current	1.25A	
	Current Range	0 ~ 1A	
	Rated Power	15W	
	Voltage Adjustable Range	11 - 13V	
	Voltage Tolerance	±2%	
	Line Regulation	±1%	
	Load Regulation	±1%	
	Ripple & Noise	< 200mVp-p	
	Setup / Rise Time	2000ms / 80ms / 230VAC	
Input	Hold Up Time	30 ms / 230VAC	
	Voltage Range	100-264VAC	
	Rated Frequency	50/60Hz	
	Frequency Range	47-63Hz	
	AC Current	0.2A / 230VAC, 0.4A / 115VAC	
	Inrush Current	Cold Start 45A / 230VAC, 25A / 115V	
	Efficiency	77,00 %	
	OVP	14.2 - 16.2V , Shut off o/p voltage	
	Protection	Overvoltage category	III;According to EN61558, EN50178,EN60664-1, EN62477-1; altitude up to 2000 meters
		OLP	Over Load protection 110-160% rated output power
Operating Temperature		-10 ~ 40°C	
Environmental	Storage Temperature	-40 ~ 85°C	
	Working Humidity	20% ~ 90% RH non-condensing	
	Storage Relative Humidity	10 - 95% RH non-condensing	
	Temperature Coefficient	±0.03%/°C(0 ~ 50°C) RH non-condensing	
	Operation Altitude	2000m	
	Vibration	10 ~ 500Hz, 2G 10min./1cycle, period for 60min. each along X, Y, Z axes; Mounting: Compliance to IEC60068-2-6	
	Safety & EMC	Safety Standards	EN 62368 CE, RoHS, REACH
Withstand Voltage		I/P-O/P:3KVAC	
Insulation Resistance		I/P-O/P:100M Ohms / 500VDC / 25°C/ 70% RH	
EMC Emissions		EN55032	
EMC Immunity			
Other	MTBF	200 000 h	
	Dimensions	L90 x W58 x H18mm	
	Weight	-	
	Packing	100pcs.	

BLOCK Diagram



Mechanical Specification
(Unit: mm , tolerance $\pm 0.5\text{mm}$)



ADMISSIBLE DIN-RAIL: TS35/7.5 OR TS35/15

Terminal Pin No. Assignment

Pin No.	Assignment	Pin No.	Assignment
1	+V	3	AC/N
2	-V	4	AC/L