



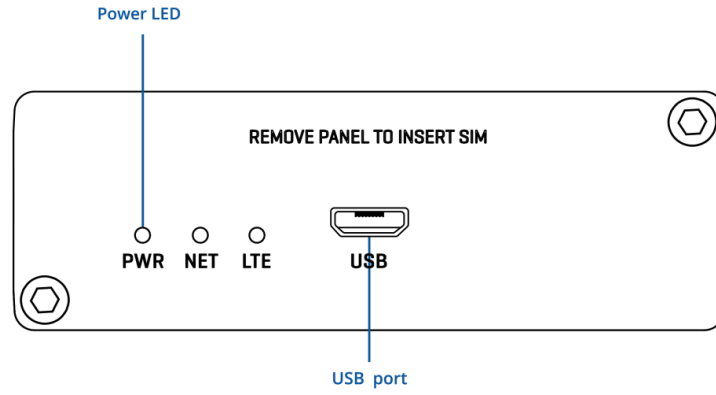
TRM200

v1.0

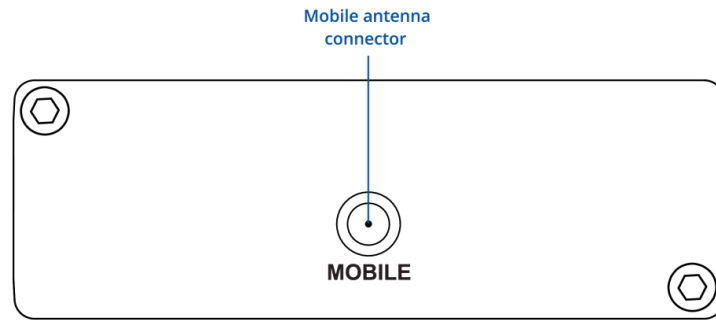


HARDWARE

FRONT VIEW



BACK VIEW



FEATURES

Mobile

Mobile module	4G – Cat 4 up to 75 DL/50 UL Mbps, 3G – Up to 42 DL/5.76 UL Mbps, 2G – Up to 236.8 DL/ 236.8 UL kbps
----------------------	--

3GPP Release	Release 9
---------------------	-----------

Power

Connector	microUSB
------------------	----------

Input voltage range	5V - powered via microUSB
----------------------------	---------------------------

Power consumption	Idle: 0.9 W, Max: 3.2 W
--------------------------	-------------------------

Physical Interfaces

Status LEDs	1 x Power LED, 1 x Network LED, 1 x Mobile LED
--------------------	--

SIM	1 x SIM slot (Mini SIM – 2FF), 1.8 V/3 V
------------	--

Power	1x microUSB
--------------	-------------

Antennas	1 x SMA for Mobile
-----------------	--------------------

Physical Specification

Casing material	Aluminium housing
------------------------	-------------------

Dimensions (W x H x D)	74.5 x 25 x 64.5 mm
-------------------------------	---------------------

Weight	274 g
---------------	-------

Mounting options	DIN rail, wall mount, flat surface (all require additional kit)
-------------------------	---

Operating Environment

Operating temperature	-40 °C to 75 °C
------------------------------	-----------------

Operating humidity	10% to 90% non-condensing
---------------------------	---------------------------

Ingress Protection Rating	IP30
----------------------------------	------

TRM SOFTWARE

TRM SOFTWARE USB Driver RUT#03	Windows 7/8/8.1/10, Linux 2.6 or later, Android 2.3/4.0/4.2/4.4/5.0/5.1/6.0/7.0
---------------------------------------	---

NDIS Driver	Windows 7/8/8.1/10
--------------------	--------------------

Regulatory & Type Approvals

Regulatory	CE, UKCA, CB, EAC, UCRF, WEEE
-------------------	-------------------------------

ORDERING

STANDARD PACKAGE*

- TRM200
- [1x Mobile antenna \(swivel, SMA male\)](#)
- [Micro-USB cable \(0.8 m\)](#)
- 1x hex key
- QSG (Quick Start Guide)
- Packaging box

*Standard package contents may differ based on standard order codes.

For more information on all available packaging options – please [contact us](#) directly.

CLASSIFICATION CODES

HS Code: 851762

HTS: 8517.62.00

AVAILABLE VERSIONS

TRM200 0***** EMEA, Thailand, Australia, New Zealand	4G (LTE-FDD): B1, B3, B5, B7, B8, B20, B28 4G (LTE-TDD): B38, B40, B41 3G: B1, B8 2G: B3, B8	TRM200000000 / Standard package
---	---	---------------------------------

The price and lead-times for region (operator) specific versions may vary. For more information please [contact us](#).

TRM200 SPATIAL MEASUREMENTS

PHYSICAL SPECIFICATION

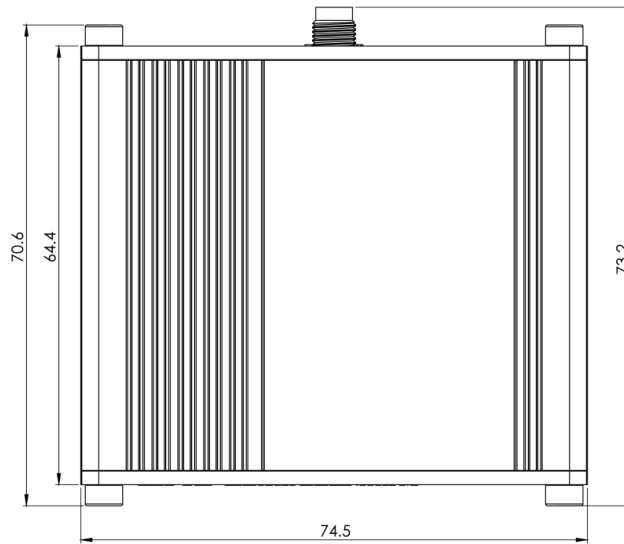
Device housing (W x H x D)* 74.5 x 25 x 64.5 mm

Box (W x H x D): 173 x 148 x 71 mm

*Housing measurements are presented without antenna connectors and screws; for measurements of other device elements look to the sections below.

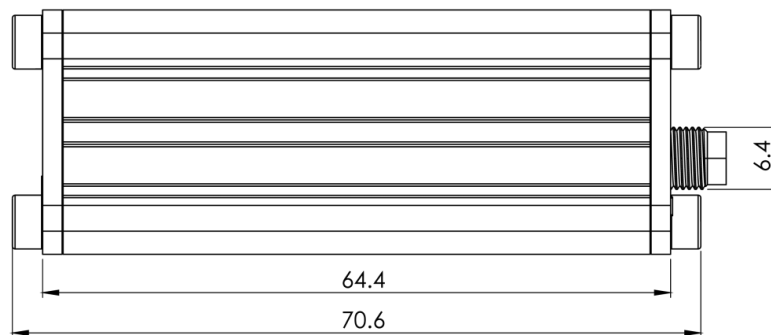
TOP VIEW

The figure below depicts the measurements of device and its components as seen from the top:



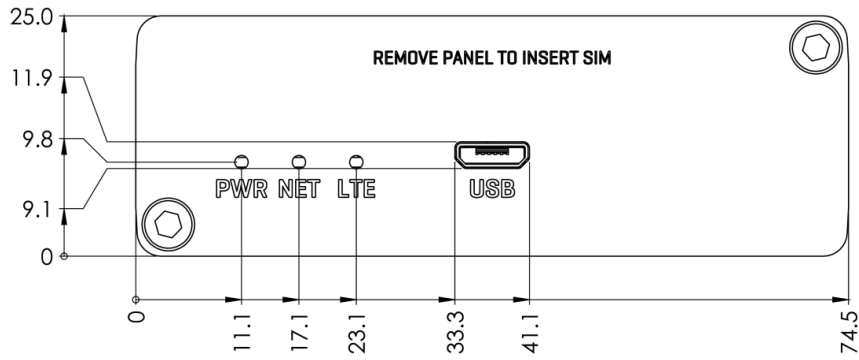
RIGHT VIEW

The figure below depicts the measurements of device and its components as seen from the right side:



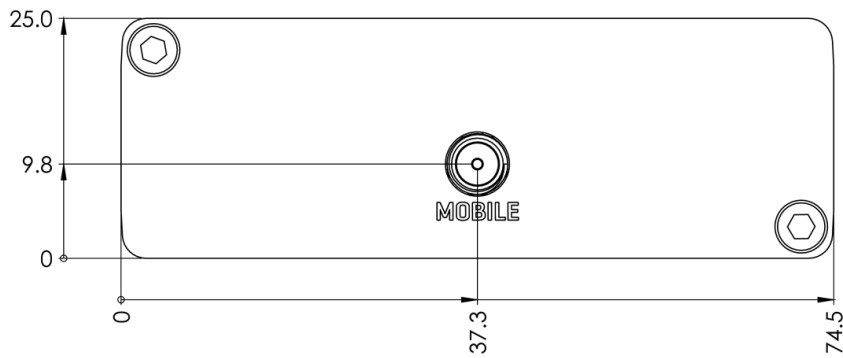
FRONT VIEW

The figure below depicts the measurements of device and its components as seen from the front panel side:



REAR VIEW

The figure below depicts the measurements of device and its components as seen from the back panel side:



MOUNTING SPACE REQUIREMENTS

The figure below depicts an approximation of the device's dimensions when cables and antennas are attached:

