



A design and free-standing charging station for charging of two electrical vehicles in parallel, with AC voltage and total output of up to 44 kW (2x 22 kW), in a robust all-metal housing.

Even in its basic version, Olife Energy AC is equipped with a wide spectrum of functionalities. The charging session can be started automatically, immediately after the vehicle is connected, or based on authorization with an RFID card or a mobile phone. Complete configuration is also done through a Smartphone app. The charger output can be set up within the range from 0 to 44 kW; the setup output is shared by the connected vehicles. The charging station can be connected to HDO, integrated into smart household, interconnected with battery storage, and integrated with other control systems. Through the external OlifeEnergy SmartMeter unit it is possible to dynamically control the charging station output to avoid circuit breaker release with high consumption, and charge from excesses of solar power or low tariff.

The OlifeEnergy AC CLOUD extended version makes it possible to cooperate with a remote server (OlifeEnergy Cloud, OCPP) that provides input power control for several OlifeEnergy stations, remote diagnostics, authorization, and user management. Each AC CLOUD free-standing station can be included in OlifeEnergy Net, a network of charging stations, and bring its owner an extra income for public EV charging.

Specification

Output	2x Type 2
Type of connection	Type C (according to EN 61851)
Type of output	Cables with plugs, Type 2
Output power*	0-44 kW
Type of AC input	AC 3 + N + PE 400V 50 Hz, TN-S / AC 3 + PEN 400V 50 Hz, TN-C
Max. supply cable cross section	25 mm ²
Control	Local – automatic, RfID, via smartphone app (Bluetooth) / remote – OlifeEnergy Cloud**, OCPP**
Overcurrent protection	2x three-pole circuit breaker 32 A
Residual protection	2x four-pole residual current device type A + residual DC current detection according to IEC 62955
Input current	0-63 A
Communication	Bluetooth, Modbus RTU (po RS-485), ADC 0-10 V, OlifeEnergy Cloud**, OCPP 1.6/2.0**
Data connection**	Ethernet**, USB (GSM, Wi-Fi)**, RS-485
Input voltage	3x 400 V
IP class	IP54
Operating temperature & humidity	from -25 °C to +40 °C / from 5 % to 95 %
Dimensions	560 x 2000 x 380 mm
Netto weight (excl.packaging)	110 kg

* maximum adjustable output is limited by upstream circuit breaker ** only for CLOUD version

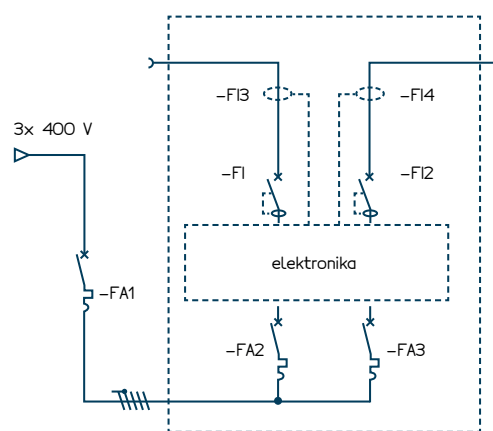
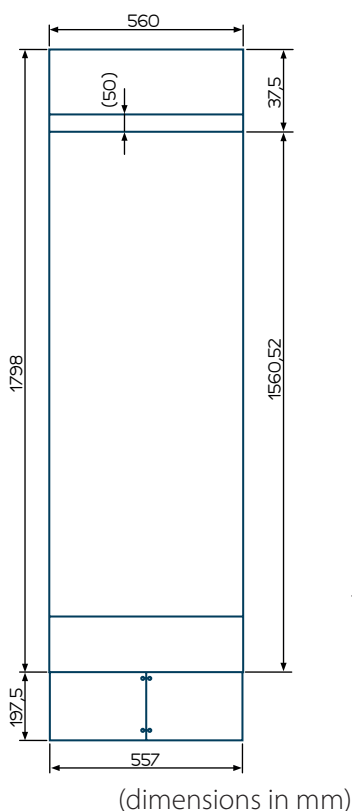
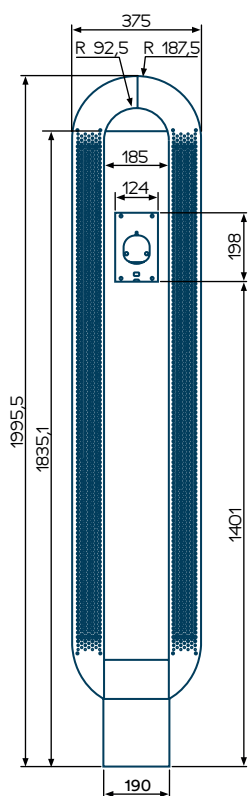
OlifeEnergy Cloud Services

A charging station with a functionality extended by an option to be connected to the OlifeEnergy Cloud service and OCPP server. The OlifeEnergy Cloud service provides remote diagnostics, access management, and registration of charging. It also makes it possible to operate a public charging station. Through OlifeEnergy Cloud, it is possible to dynamically control the output of several stations and to communicate with existing MaR systems.


Comparison of versions	AC	AC CLOUD
Protection against circuit breaker release	•	•
Integration with Smart household	•	•
Charging at low tariff, from solar power excesses*	•	•
RFID authorization	•	•
Control and configuration through ModBus RTU (via RS 485)	•	•
Configuration through mobile phone (locally Bluetooth)	•	•
Static setup of output current (according to upstream circuit breaker)	•	•
External current control (ModBus RTU / ADC 0–10 V)	•	•
List of charging, remote access control, commercial charging		•
Remote and mass configuration via web		•
OlifeEnergy Cloud, OCPP		•
Dynamical control of output according to other consumption*	2 stations	unlimited stations

* ĚThe output is controlled by an OlifeEnergy SmartMeter external module. We recommend to install 1x SmartMeter at one main circuit breaker.

Dimensions and schema



- | | |
|--------------------|--------------------------|
| in the switchboard | inside the charger |
| -FA1 3P char. B | -FA2 3P 32 A char. B |
| | -FA3 3P 32 A char. B |
| | -F1 4P 40A type A, 30 mA |
| | -F2 4P 40A type A, 30 mA |
| | -F3 DC 6 mA |
| | -F4 DC 6 mA |

 CZ: +420 556 621 030
INT: +420 556 621 020

 CZ: obchod@sectron.cz
INT: sales@sectron.cz

 SECTRON s.r.o.
Josefa Šavla 12, 709 00 Ostrava, Czech Republic