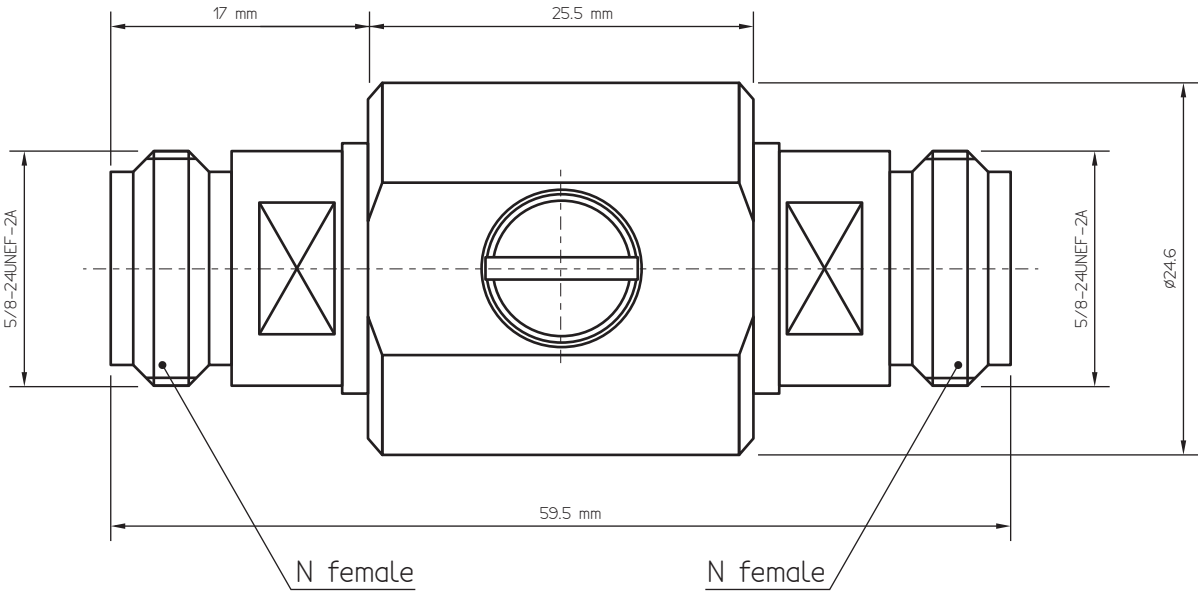


REVISIONS			
DATE	REV	DESCRIPTION	ECN NO.



ROHS



SPD port	two-port
SPD type	On-Off type
Port type	50 Ω
Nominal discharge current $I_n$	10 kA
Maximum discharge current $I_{max}$	20 kA
Voltage protection level	≤600 V
VSWR	≤1.2
Frequency range	0-3 GHz
Temperature range	-40 °C ~ +85 °C
Insertion loss	≤0.2 dB
Grounding mode	Screw ground
Connection mode In/Out	female-female
Ingress protection	IP65

Technical requirements:

1. Performance indicators: Frequency range (MHz):0-3000; VSWR: ≤1.2;  $S_{12}$ ≤0.3 dB
2. The antenna surface color is uniform, clean, no obvious scratches and mechanical damage
3. In line with ROHS
4. Test method: both ends of the arrester are connected to the two ports of the net.

TOLERANCES UNLESS OTHERWISE SPECIFIED				SECTRON s.r.o. Josefa Savla 12, 709 00 Ostrava, Czech Rep.	
0.5-5=±0.2 mm 5-30=±0.4 mm 30-120=±0.6 mm 120-315=±1 mm 315-1000=±5.0 mm 1000-10000=±100.0 mm		TITLE		Lightning arrester N-(f)/N-(f)	
DRAWN		PACKING		1 pcs	
CHECKED		SIZE A4	UNIT mm	THIRD ANGLE PROJECTION 	
APPROVAL		SCALE	2:1	DATE 04/03/2024	
RoHS COMPLIANT		PART NO.		AO-LA-NFNF	
				PAGE 1/1	