



WLAN ANTENNA

Antenna WiFi Magnet Mount 069,
3 dBi, SMA-RP(f), RG174/3m

AW-A24G-G069SRP

SECTRON company offers a wide portfolio of WLAN antennas with various versions differing in shape, level of gain and manner of attachment. SECTRON guarantees a compatible connection between an antenna and all antenna adaptors produced by SECTRON.

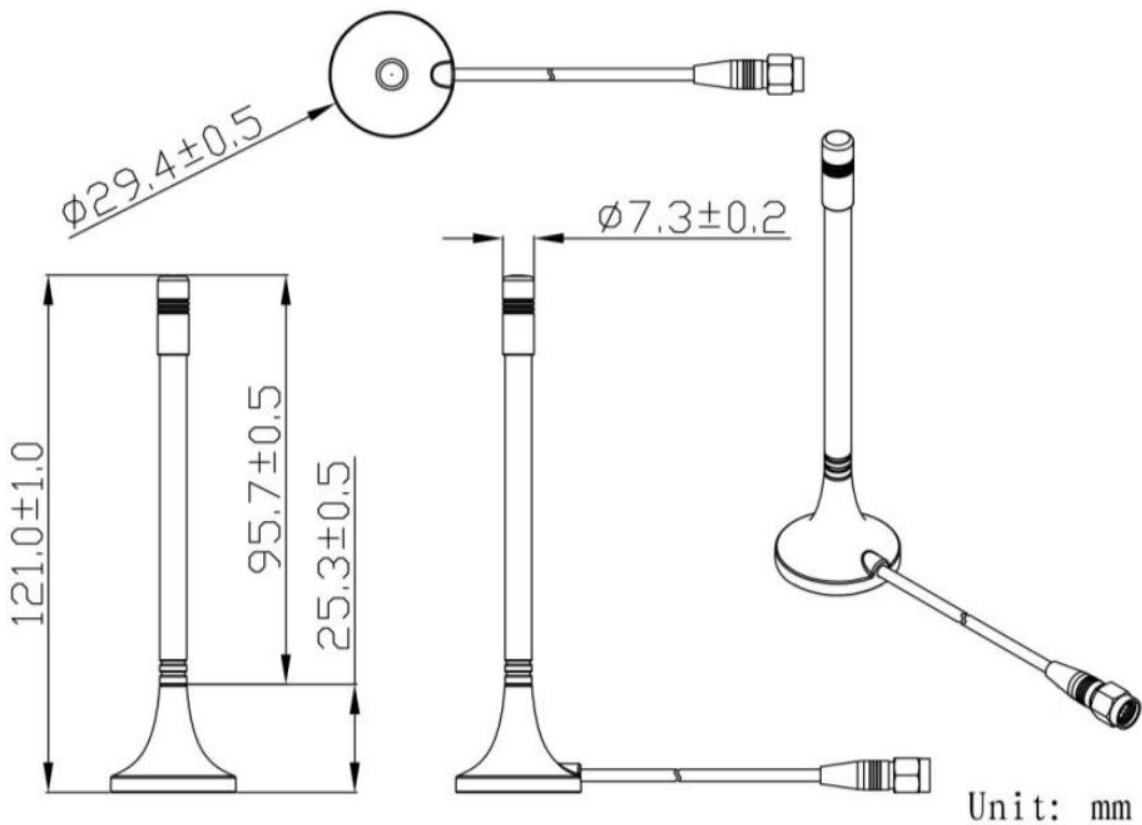


BENEFITS

- Compact design
- Easy installation
- High gain

Technology	WiFi
Frequency bands	2400/2500 MHz
Bandwidth	-
Gain	3 dBi
VSWR	<2.0:1
Impedance	50 Ohm
Directivity	Omnidirectional
Beam angle	H 360° V 30°
Polarization	Linear
Maximum input power	10 W
Power voltage	-
Dimensions	121 x 29.4 mm
Weight	53.31 g
Operating temperature	-40 to +85 °C
Execution	External
Method of attachment	Magnet Mount
Cable type	RG174/U
The cable length	3 m
Connector type	SMA-RP(f)

DRAWING



Different connector variants or cable lengths are available on request.