



## GNSS ANTENNA

### Antenna GNSS Screw Mount Marine, 30 dBi, TNC(f)

AP-AGPS-10T

SECTRON company offers a wide portfolio of GNSS antennas with various versions differing in shape, level of gain or attachment manner. SECTRON guarantees a compatible connection between antenna and all antenna adaptors produced by SECTRON.

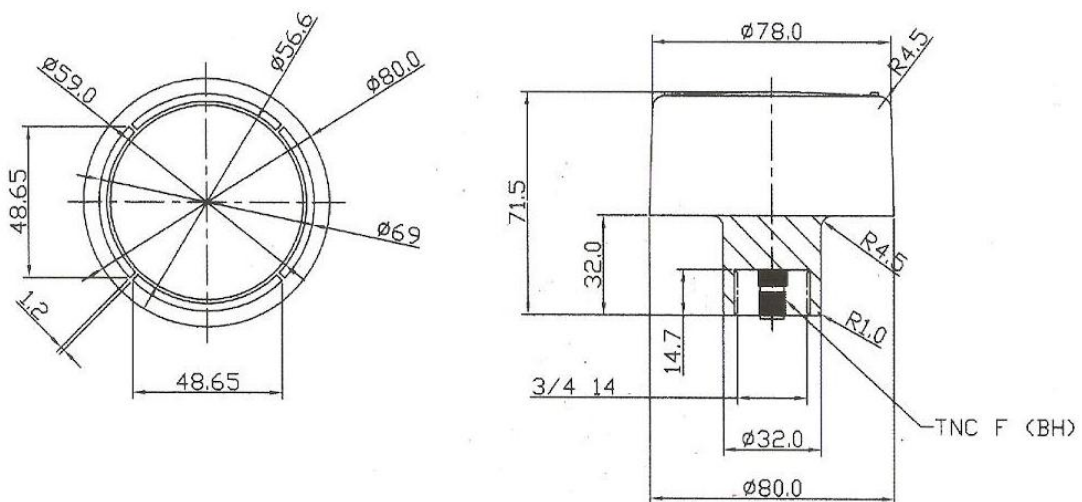


#### BENEFITS

- Low VSWR
- High gain
- Environmental resistance

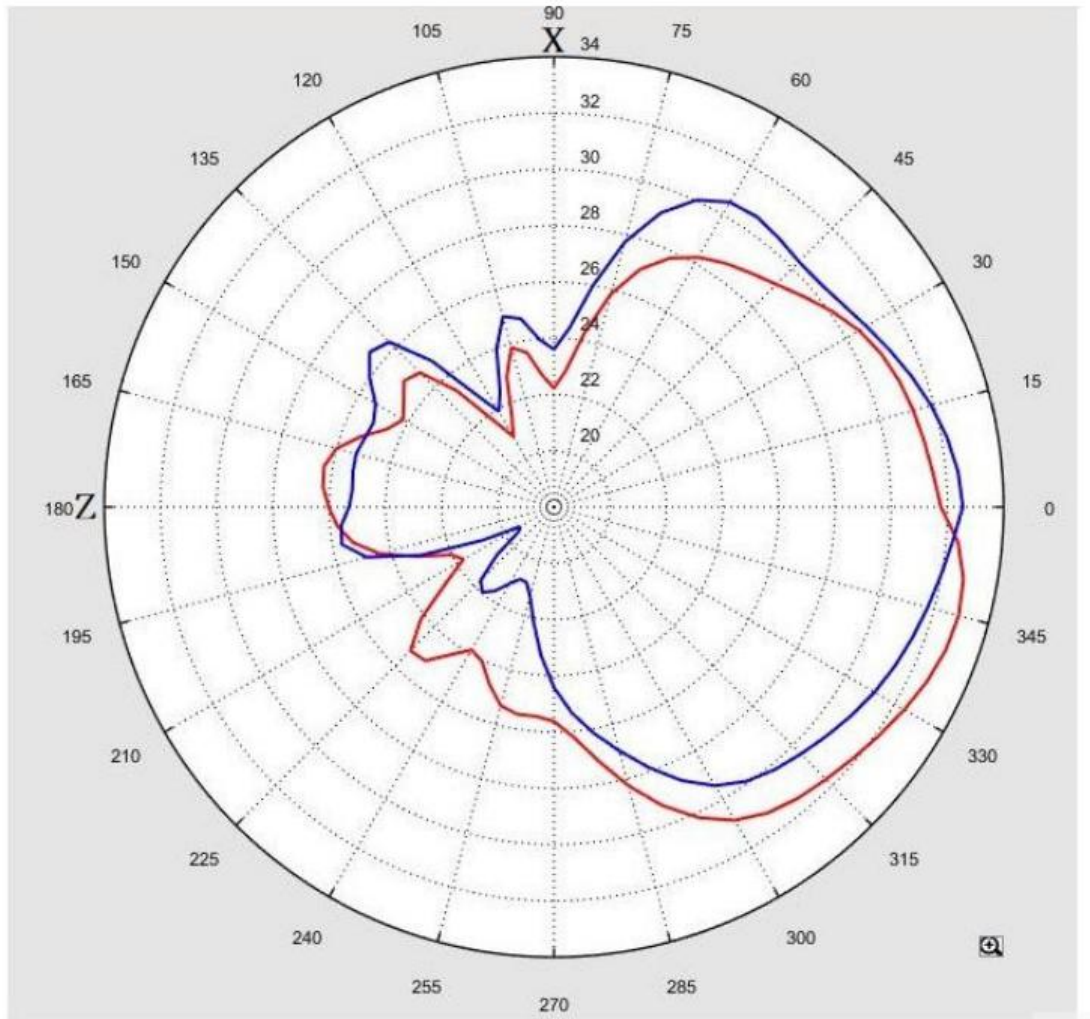
Technology	GPS/ Glonass
Frequency bands	1575.42/ 1602 MHz
Bandwidth	-
Gain	30 dBi
VSWR	<2.0:1
Impedance	50 Ohm
Directivity	Omnidirectional
Beam angle	H 360° V 30°
Polarization	R.H.C.P.
Maximum input power	10 W
Power voltage	2.5-5.5 V DC
Dimensions	ø81 x 71,5 mm
Weight	120 g
Operating temperature	-20 to +65 °C
Execution	External
Method of attachment	Screw Mount
Cable type	-
The cable length	-
Connector type	TNC(f)
IP Code	IP67

DRAWING



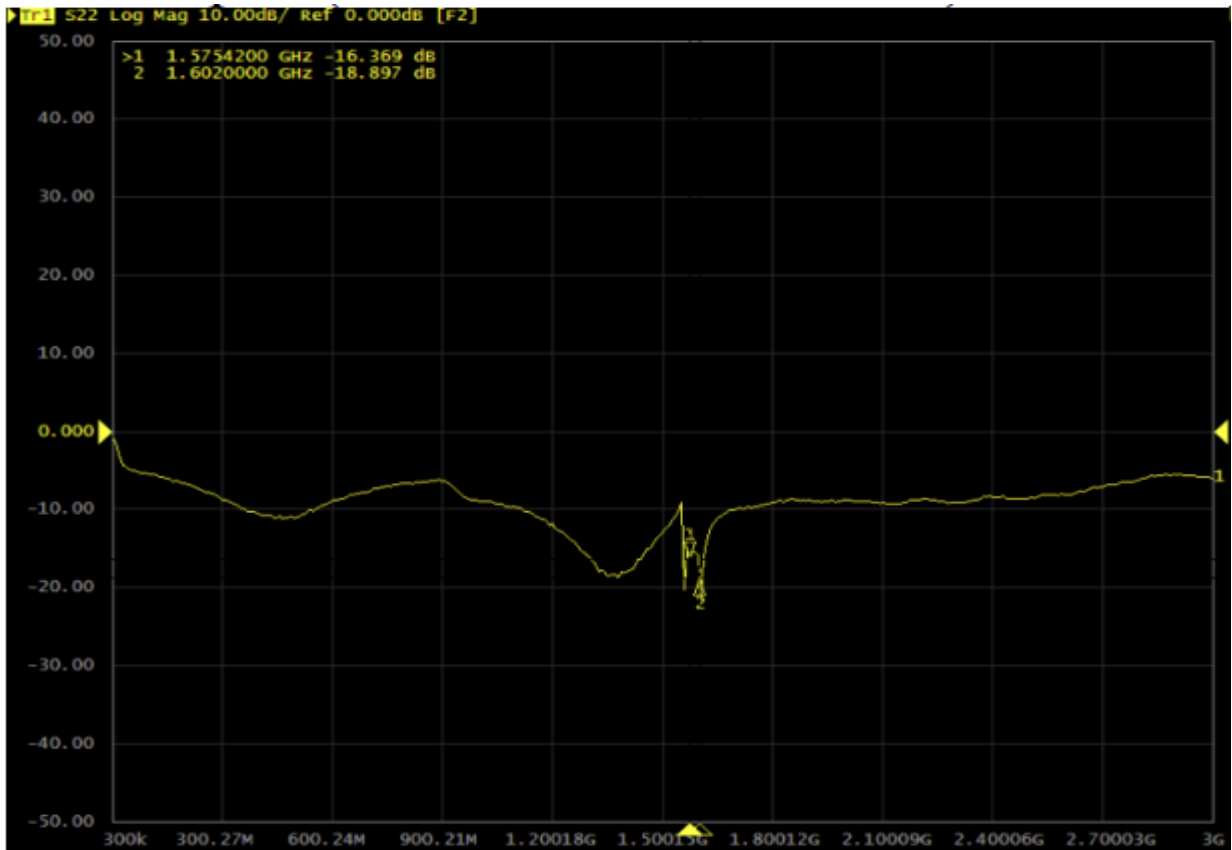
3D Test Data

Freq. / Chan.	Color
1.57542GHz	Red
1.602GHz	Blue

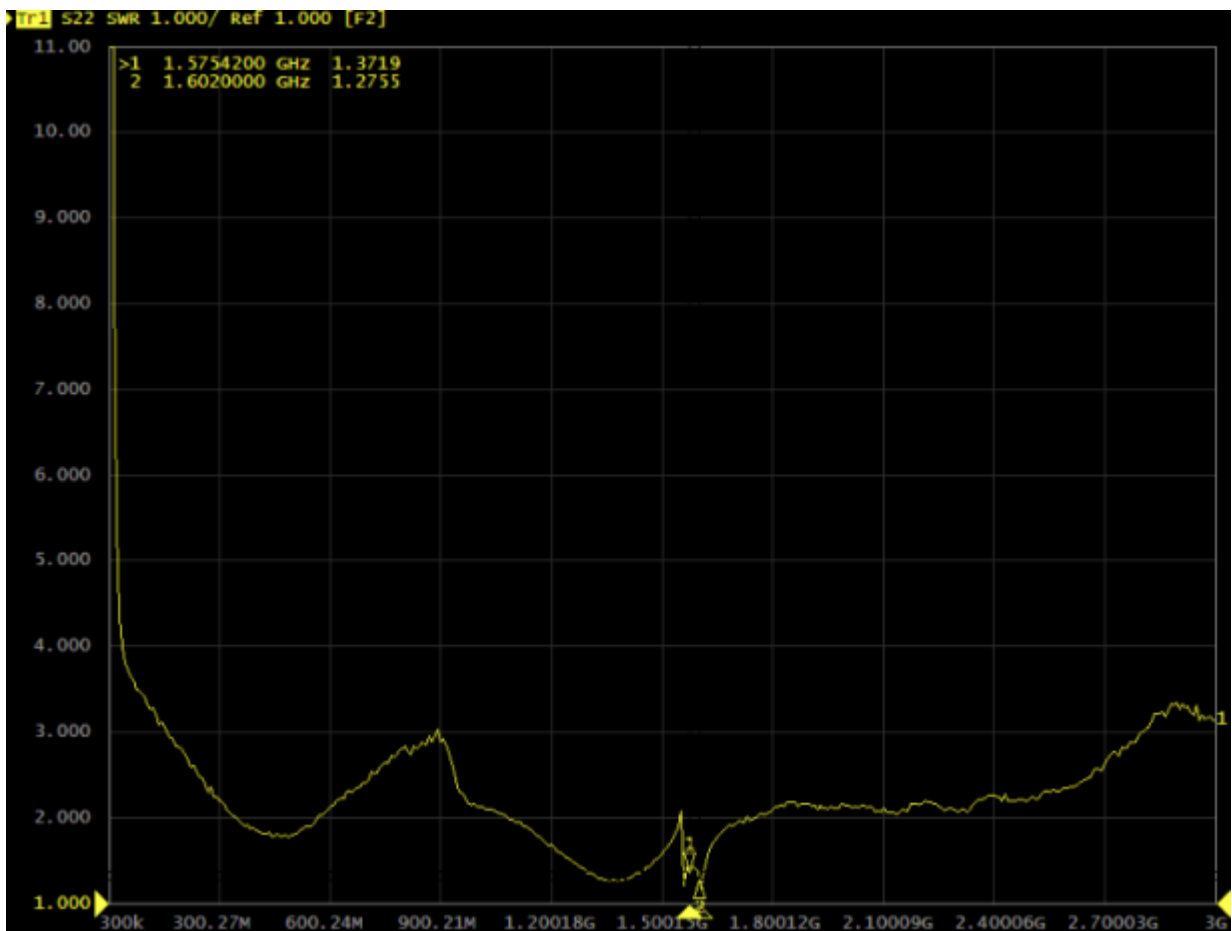


Frequency (MHz)	Return Loss (dB)	VSWR	GAIN (dB)
1575.42	-16.36	1.37	33.18
1602	-18.89	1.27	32.55

## S11- Return loss [dB]



## VSWR- Voltage standing wave ratio [-]



Different connector variants or cable lengths are available on request.

CONTACTS

---

SECTRON s.r.o. Josefa Šavla 1271/12  
709 00 Ostrava 9, Czech Republic

WWW.SECTRON.CZ  
Tel.: +420 556 621 021