

# Antenna Connector Adapter SMA(f)/SMA(m) 90°

## AO-SMA-FMRA

SECTRON company offers a wide portfolio of high-quality handmade cable adaptors in various versions for M2M applications.

Coaxial RF cable connectors are an important part of quality cable adaptors. SECTRON product portfolio includes brand connectors suitable for frequencies up to 6 GHz.



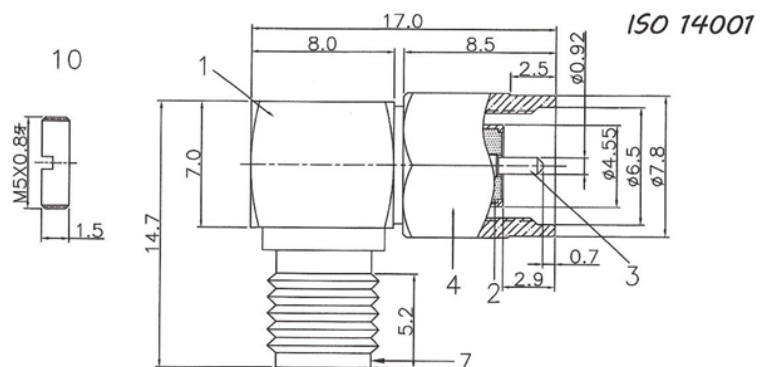
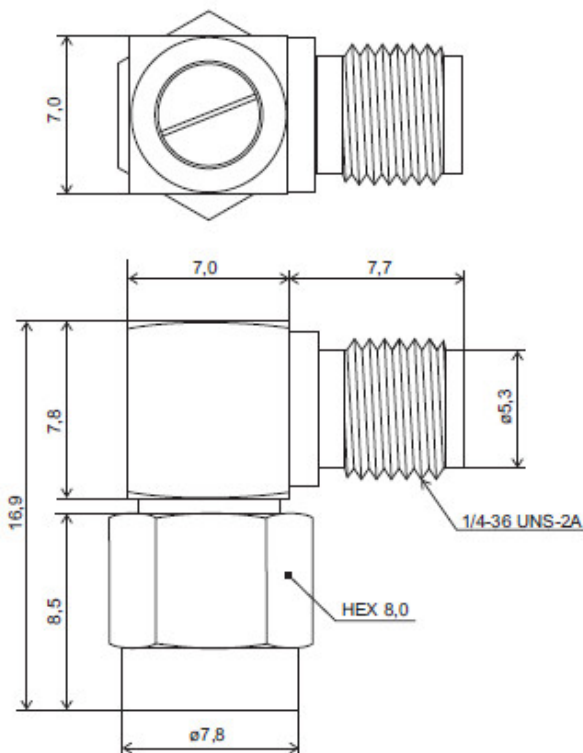
### FEATURES

Frequency range	0-6 GHz
Impedance	50 Ohm
Maximum VSWR (6 GHz)	< 1.29:1
Insulation resistance	5000 MOhm min.
Operation voltage	max. 200 V AC/1min
Mating cycles	≥500
Operating temperature	-65° C to +165° C
Weight	5.56 g
Certification	RoHS, ISO 9001, ISO 14001

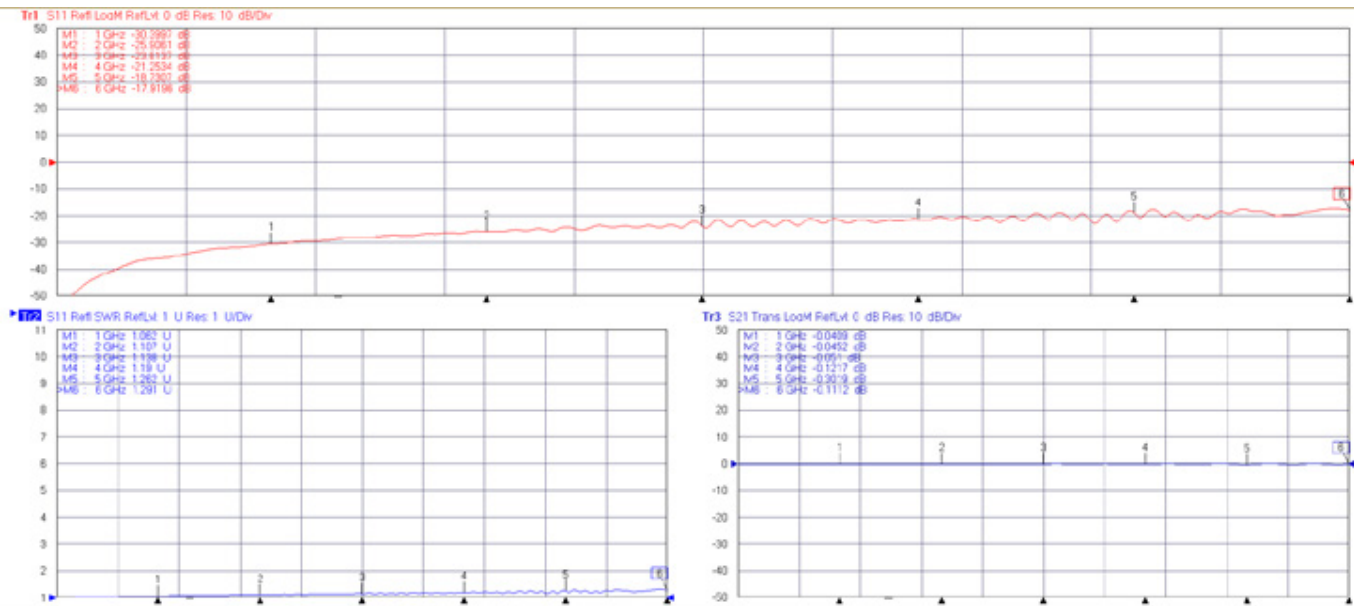
### MATERIAL AND FINISH

Body	Brass / Gold
Center Pin	Phosphor Bronze / Gold
Insulator	POM / PTFE
Engagement Force	2 in-lbs. max
Disengagement Force	2 in-lbs. max
Coupling Nut Retention	60lbs. max
Coupling Proof Torque	15 in-lbs. max
Contact Retention	6 in-lbs. max

### DRAWING - ADAPTOR



# DIAGRAMS



Frequency (MHz)	VSWR	Insertion Loss (dB)	Return Loss (dB)
1000	1.06	-0.04	-30.39
2000	1.10	-0.04	-25.90
3000	1.13	-0.05	-23.81
4000	1.19	-0.12	-21.25
5000	1.26	-0.30	-18.73
6000	1.29	-0.11	-17.91

