

Tous droits strictement réservés. Reproduction ou communication à des tiers interdite sans gracieuse forme que ce soit sans autorisation écrite du propriétaire. Propriété de A.FCI. Droits de reproduction FCI.

**A**  
FCI

All rights strictly reserved. Reproduction or issue in third parties in any form whatever is not permitted without written authority from the proprietor. Property of FCI. Copyright FCI.

A

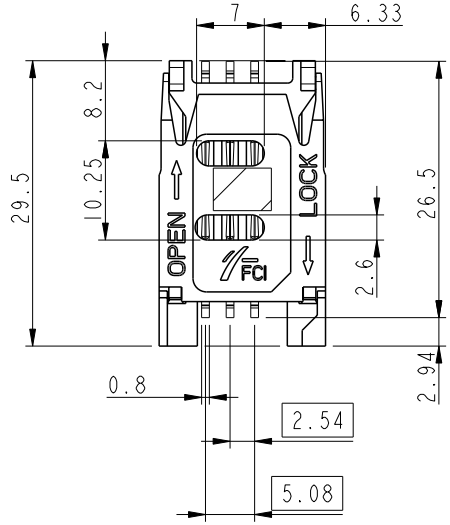
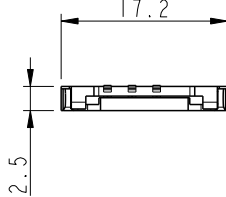
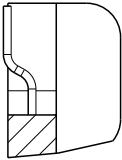
B

C

D

PART NUMBER
7111S2015X01
7111S2015X02
7111S2015X04

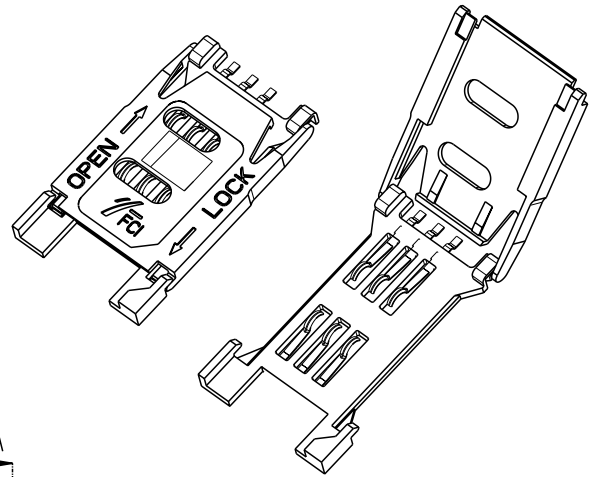
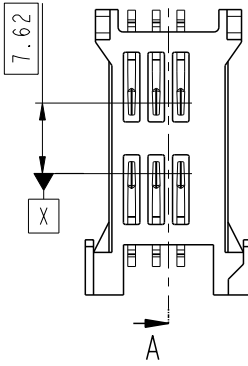
DETAIL F  
SCALE 10:1



0.1

SEE DETAIL F

SECTION A-A



A

B

C

D

SEE NOTE SHEET 2

General Tolerances	
0 to 10mm:	±0.1mm
10 to 30mm:	±0.15mm
30 to 60mm:	±0.2mm
60 and more:	±0.3mm

<b>A</b> FCI	www.fciconnect.com		surface	✓	tolerance	ISO 406	projection	mm	
			ISO 1302		ISO 1101				
Dr	L.VUILLEMIN	98/09/01	Product family	MOBILE I/O		size	A3	Scale	2:1
Eng	G.GAMACHO	98/09/01	Spec ref	--		ECN	LS 2088		
Chr	O.CAILLER	98/09/01	Material	SEE NOTES		ECN	LS 2088		
Appr	G.GAMACHO	98/09/01							
title	SIM ASSY WITH COVER CLOSED			dwg no	VJW-54355		Rev.	C	
	S20								
catalog no	see table		CUSTOMER COPY	sheet 1 of 2					

lfr	ecn no	dr	date
1	---	JBB	98/09/01
2	---	JBB	98/12/23
3	---	LVU	99/02/25
4	---	LVU	99/03/26
A	---	HLE	01/12/06
B	LS 2013	RCH	02/03/14
C	LS 2088	HLE	02/06/26