



# Lightning arrester

SMA(m)/SMA(f)

AO-LA-SMA-J

SECTRON company offers a wide portfolio of lightning arresters with various versions differing in connector types. SECTRON guarantees a compatible connection between an antenna and all antenna adaptors produced by SECTRON.

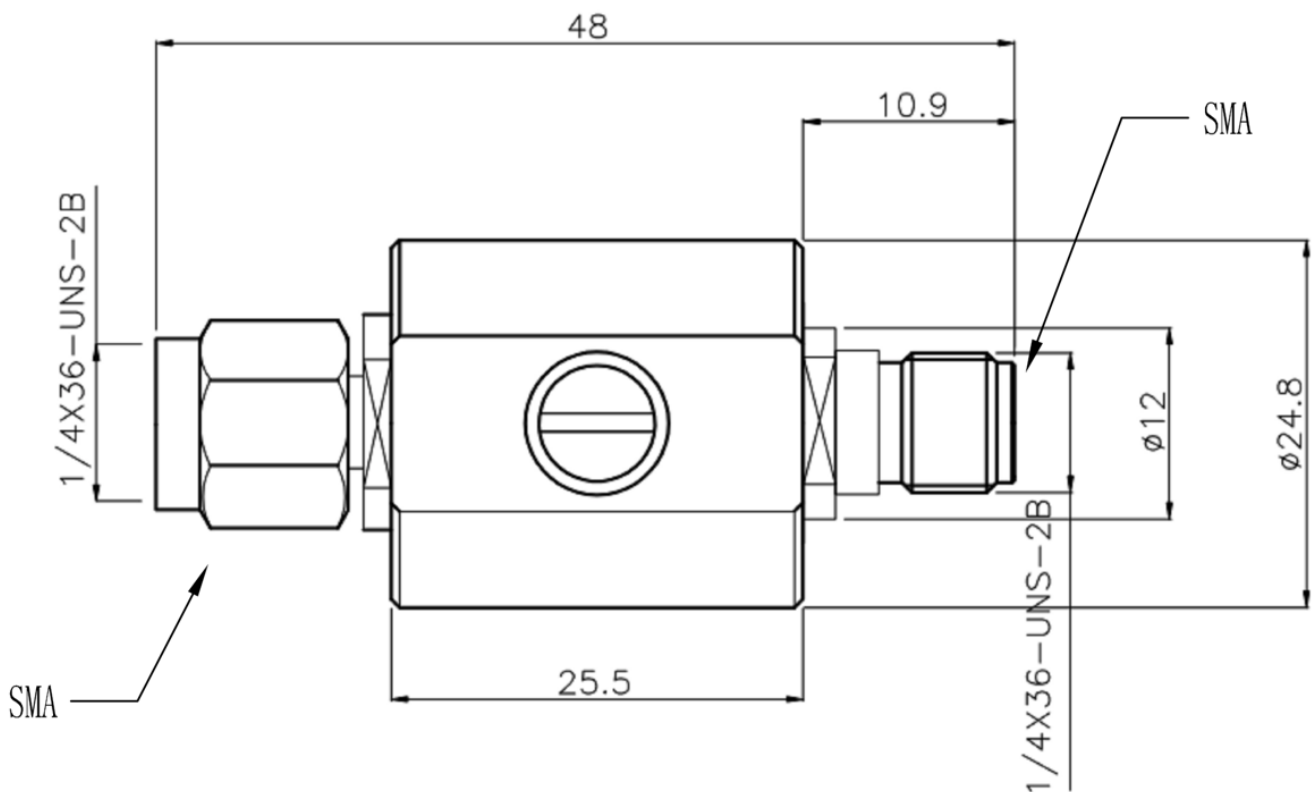


## FEATURES

AO-LA-SMA-J

Frequency range	0 - 3 GHz
VSWR	<1.2:1
Impedance	50 Ohm
Insertion loss	0.2 dB
Impulse discharge current	20 kA
Nominal DC spark-over voltage	90±20 %
Maximum DC spark-over voltage	600 V
Dimensions	∅24.8 x 48 mm
Operating temperature	-40 to 85 °C
Connector type	SMA(m)/SMA(f)
Material	Brass

## DRAWING



## CONTACTS

SECTRON s.r.o. Josefa Šavla 1271/12  
709 00 Ostrava 9, Czech Republic

WWW.SECTRON.CZ  
Tel.: +420 556 621 020