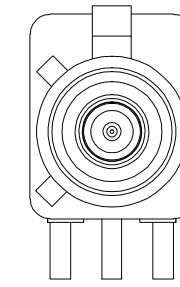
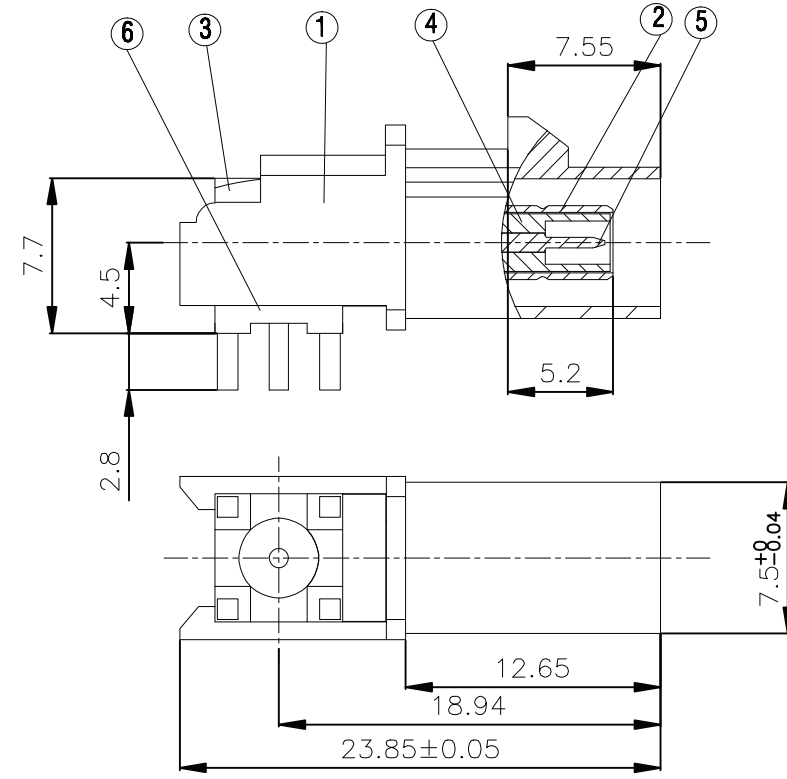
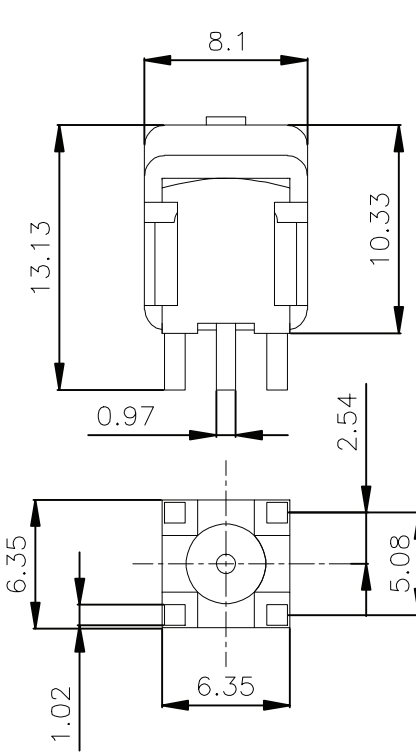
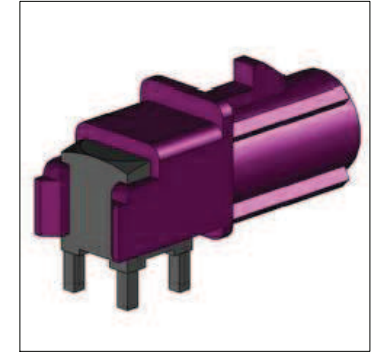
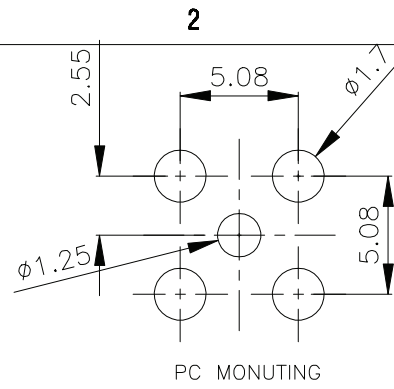


NO	DESCRIPTION	MATERIAL	Q'TY	FINISH	REMARK
1	BODY 1	PBT	1	PBT	B-FKR1530-D44
2	BODY 2	BRASS	1	NICKEL	B-FKR1536-N
3	BODY 3	BRASS	1	NICKEL	B-FKR0457-N
4	INSULATION 1	TEFLON	1	TEFLON	I-0698T
5	PIN	PH.BRONZE	1	GOLD	P-FKR0581-G
6	INSULATION 1	TEFLON	1	TEFLON	I-0563T



A			DRAWN	DATE	DIMENSIONS ARE IN MILLIMETERS UNLESS OTHERWISE SPECIFIED TOLERANCE				REVISION	
			CHECKED	DATE						
	TITLE	FAKRA PLUG PCB MOUNT	Q.A.	DATE	0.5-5=±0.2	120-315=±1				
	PART NO.	AO-FMTD-01	APPROVAL	DATE	5-30=±0.4	315-1000=±1.6				
	DRAWING NO.		REVISION	DATE	30-120=±0.6	1000-2000=±2.4				
					SCALE	4:1	SIZE	A		

4

3

2

1