



GSM/UMTS ANTENNA

Antenna GSM/UMTS

Adhesive 107, 2 dBi, SMA(m),
RG174/3m

AO-AUMTS-G107S

SECTRON company offers a wide portfolio of GSM/UMTS antennas with various versions differing in shape, level of gain and manner of attachment. SECTRON guarantees a compatible connection between an antenna and all antenna adaptors produced by SECTRON.

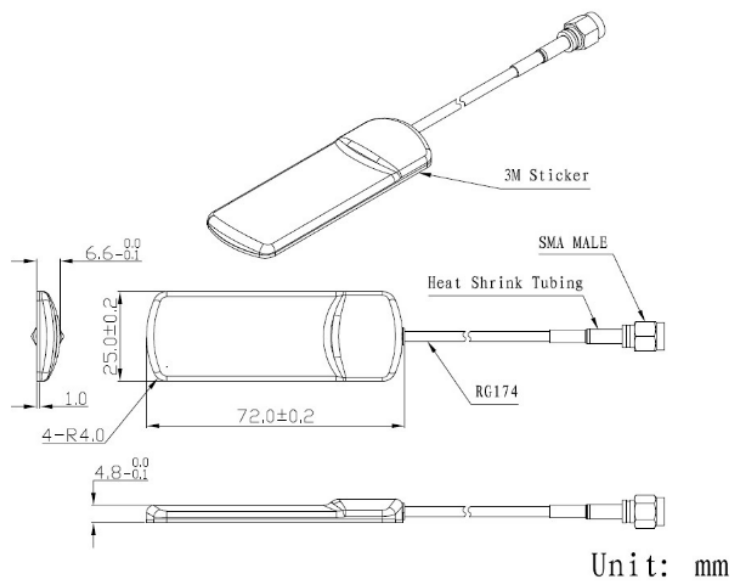


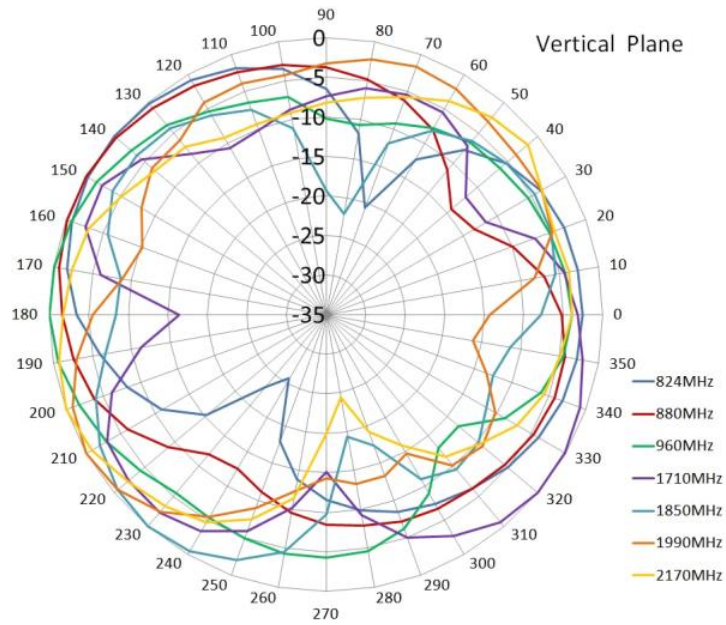
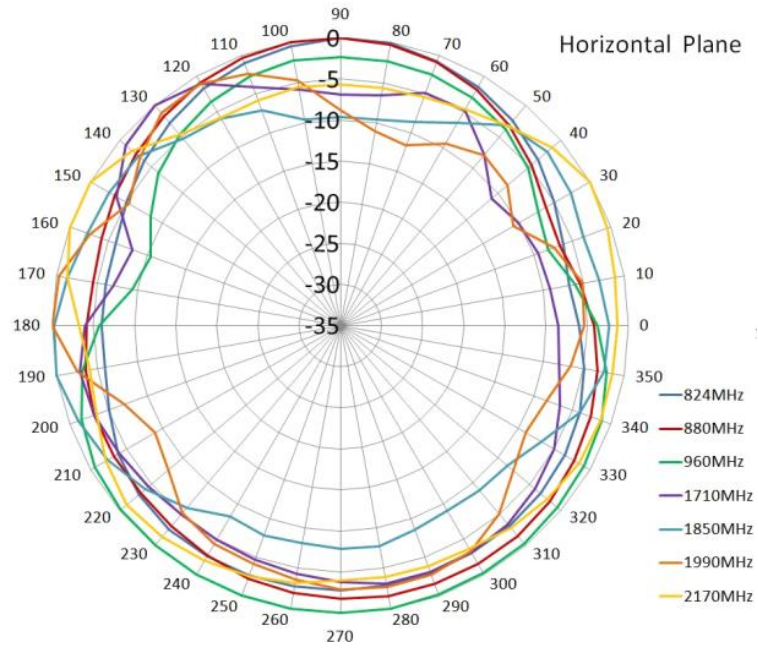
BENEFITS

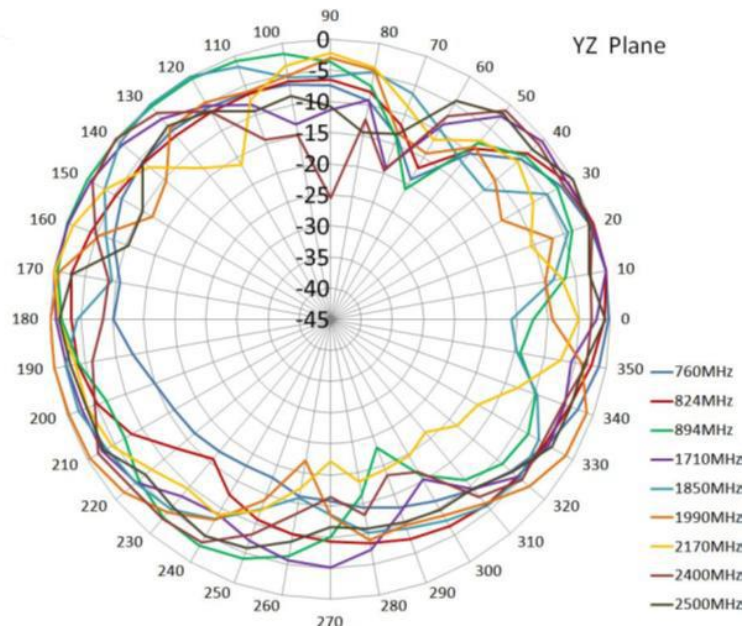
- Low VSWR
- Easy installation
- Omnidirectional - suitable for moving devices

| | |
|-----------------------|---------------------------------|
| Technology | GSM/UMTS |
| Frequency bands | 800/900/1700/1800/1900/2100 MHz |
| Bandwidth | - |
| Gain | 2 dBi |
| VSWR | <2.0:1 |
| Impedance | 50 Ohm |
| Directivity | Omnidirectional |
| Beam angle | H 360° V 30° |
| Polarization | Vertical |
| Maximum input power | 10 W |
| Power voltage | - |
| Dimensions | 72.2 x 25 x 6.6 mm |
| Weight | 48.8 g |
| Operating temperature | -40 to +85 °C |
| Execution | External |
| Method of attachment | Adhesive |
| Cable type | RG174/U |
| The cable length | 3 m |
| Connector type | SMA (m) |

DRAWING







CONTACTS

SECTRON s.r.o. Josefa Šavla 1271/12
709 00 Ostrava 9, Czech Republic

WWW.SECTRON.CZ
Tel.: +420 556 621 021