



## LTE ANTENNA

Antenna LTE Screw Mount G046L,  
2.5 dBi, SMA(m), RG174/1.3 m,  
IP67

AO-ALTE-G046LS1

SECTRON company offers a wide portfolio of LTE antennas with various versions differing in shape, level of gain and manner of attachment. SECTRON guarantees a compatible connection between an antenna and all antenna adaptors produced by SECTRON.



### BENEFITS

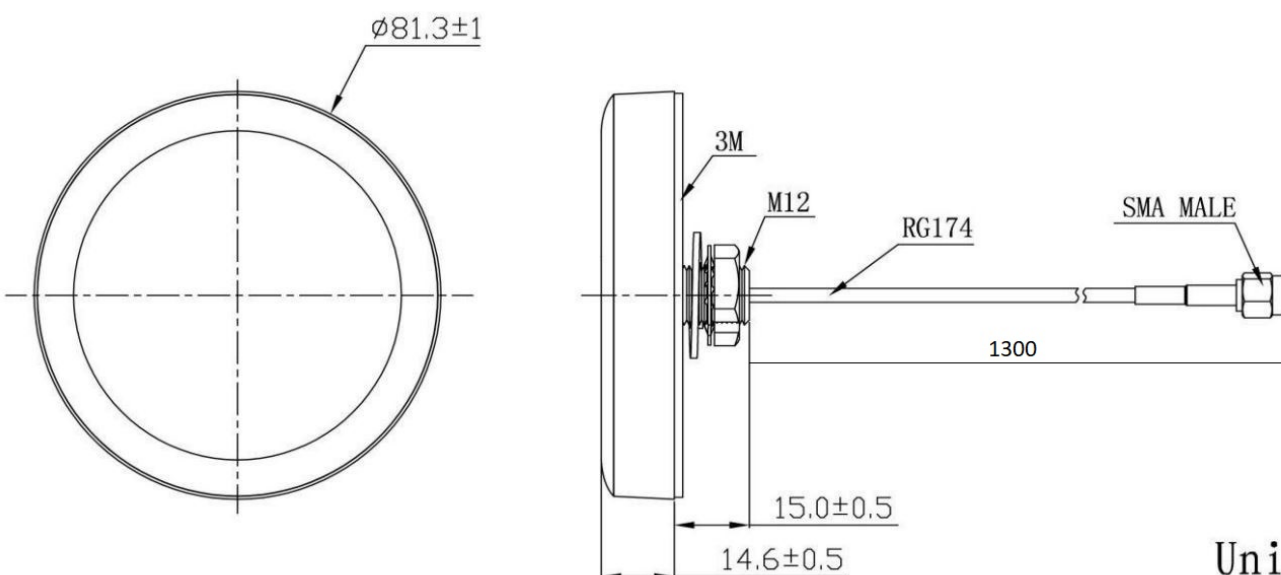
- Low VSWR
- Easy installation
- IP67
- Anti-vandal design

## FEATURES

AO-ALTE-G046LS1

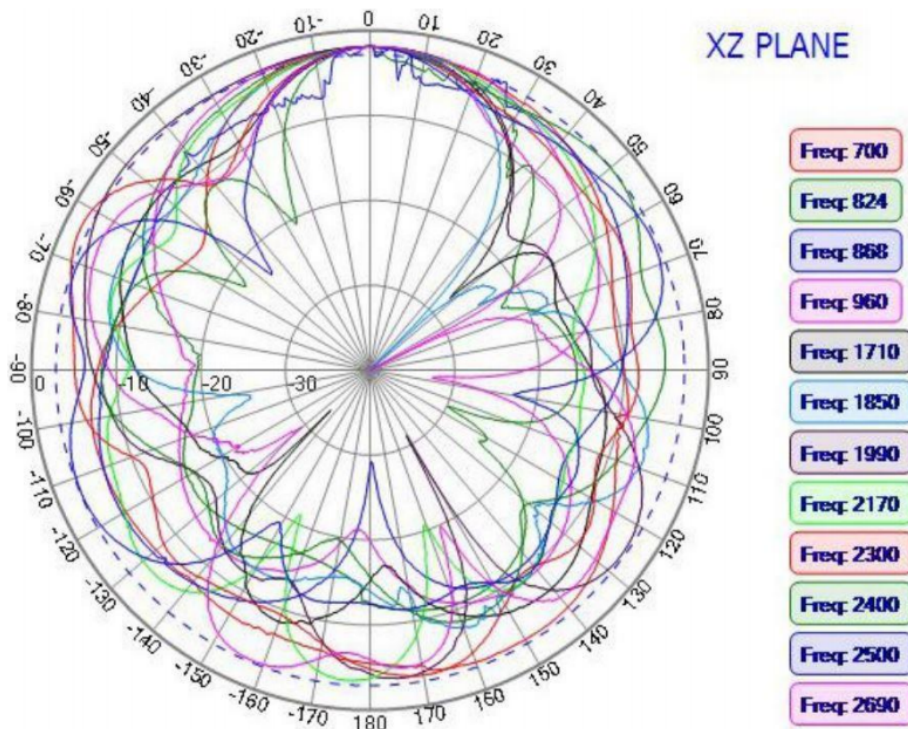
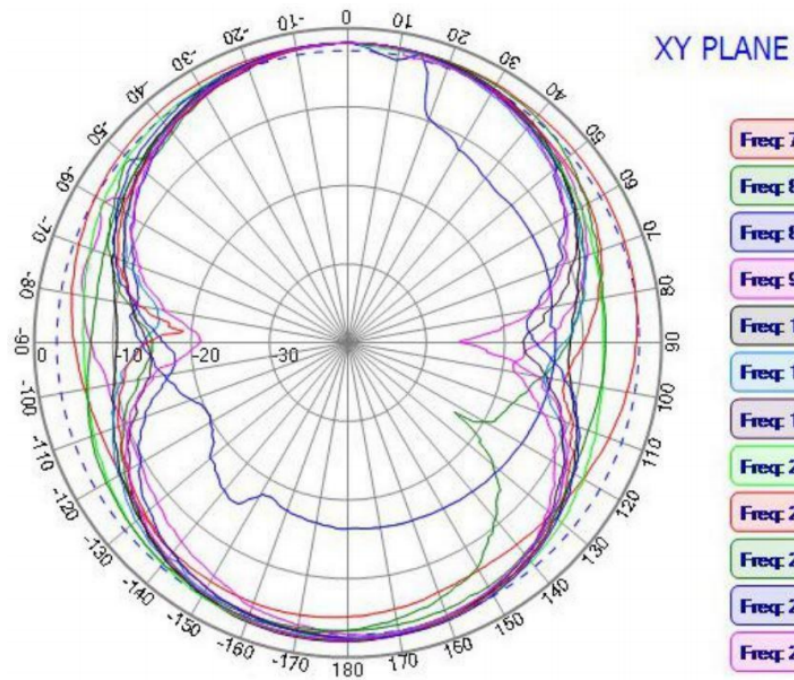
Technology	GSM/UMTS/LTE
Frequency bands	800~900/1700~2100/2500~2700 MHz
Bandwidth	-
Gain	2.5 dBi
VSWR	<1.9:1
Impedance	50 Ohm
Directivity	Omnidirectional
Beam angle	Attached graphs bellow
Polarization	Linear
Maximum input power	10 W
Power voltage	-
Dimensions	∅ 81.3 x 14.6 mm
Weight	78.64 g
Operating temperature	-30 to +80 °C
Execution	External
Method of attachment	Screw mount
Cable type	RG174/U
The cable length	1.3 m
Connector type	SMA(m)
Certification	RoHS, ISO9001, ISO14001, CNS 12681
IP Code	IP67

## DRAWING

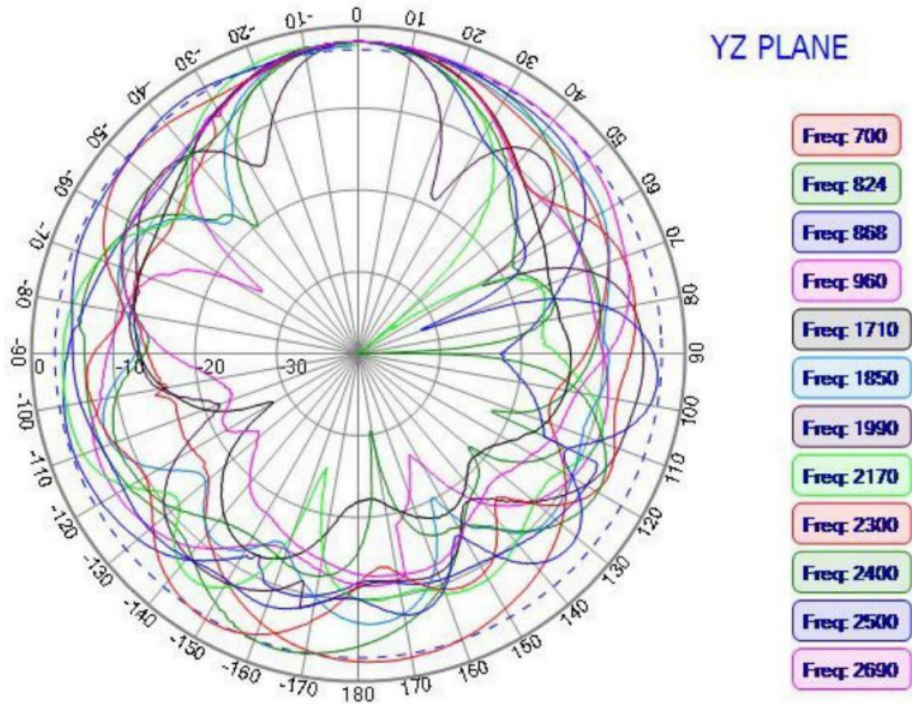


Unit: mm

## RADIATION PATTERN

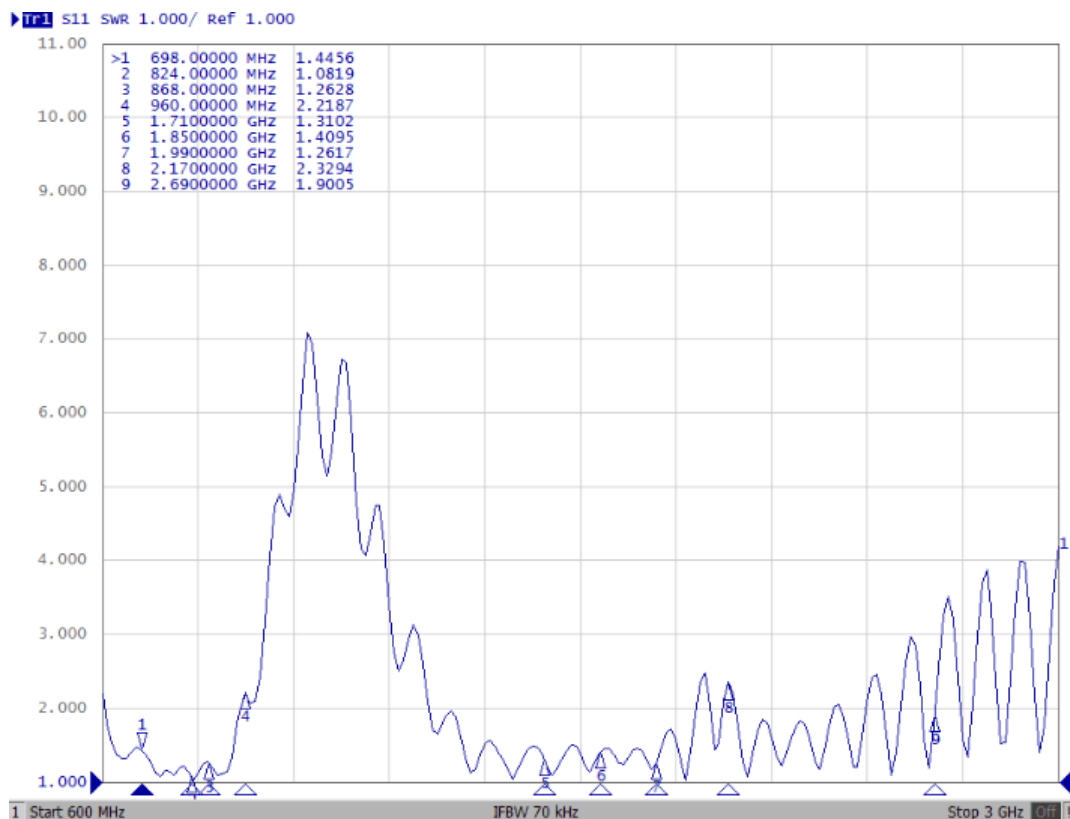


RADIATION PATTERN



MEASURED GRAPHS

VSWR – Voltage standing wave ratio [-]



## SUMMARY

Frequency [MHz]	$S_{11}$ [dB]	VSWR [-]
698	-14.88	1.44
824	-28.29	1.08
868	-18.78	1.26
960	-8.47	2.21
1710	-17.44	1.31
1850	-15.56	1.40
1990	-18.78	1.26
2170	-8.01	2.32
2690	-10.16	1.90

## VARIANTS

Different connector variants or cable lengths are available on request.

## CONTACTS

SECTRON s.r.o. Josefa Šavla 1271/12  
709 00 Ostrava 9, Czech Republic

WWW.SECTRON.CZ  
Tel.: +420 556 621 020