



LTE MIMO ANTENNA

Antenna LTE MIMO/WiFi Adhesive Mount G310, 3x LMR100/3m, 2x SMA(m), 1x RSMA(f pin)

AO-AKOM-G310LMW

SECTRON company offers a wide portfolio of LTE antennas with various versions differing in shape, level of gain and manner of attachment. SECTRON guarantees a compatible connection between an antenna and all antenna adaptors produced by SECTRON.



BENEFITS

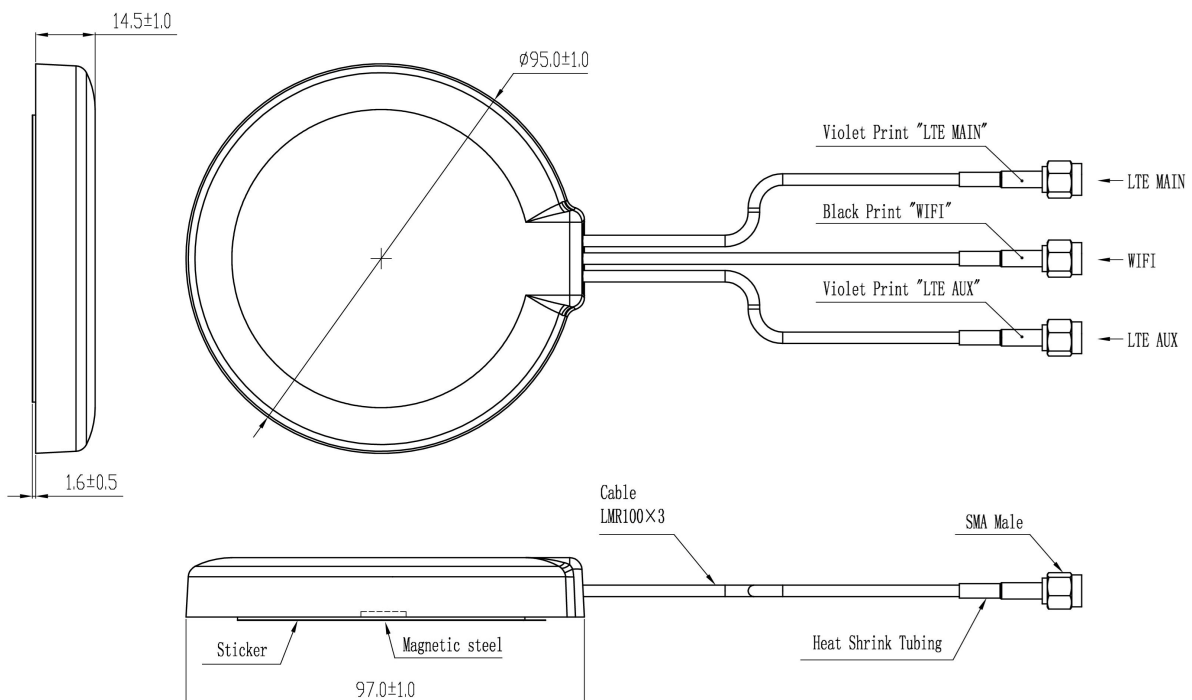
- Easy installation
- Omnidirectional - Suitable for moving devices

FEATURES

AO-AKOM-G310LMW

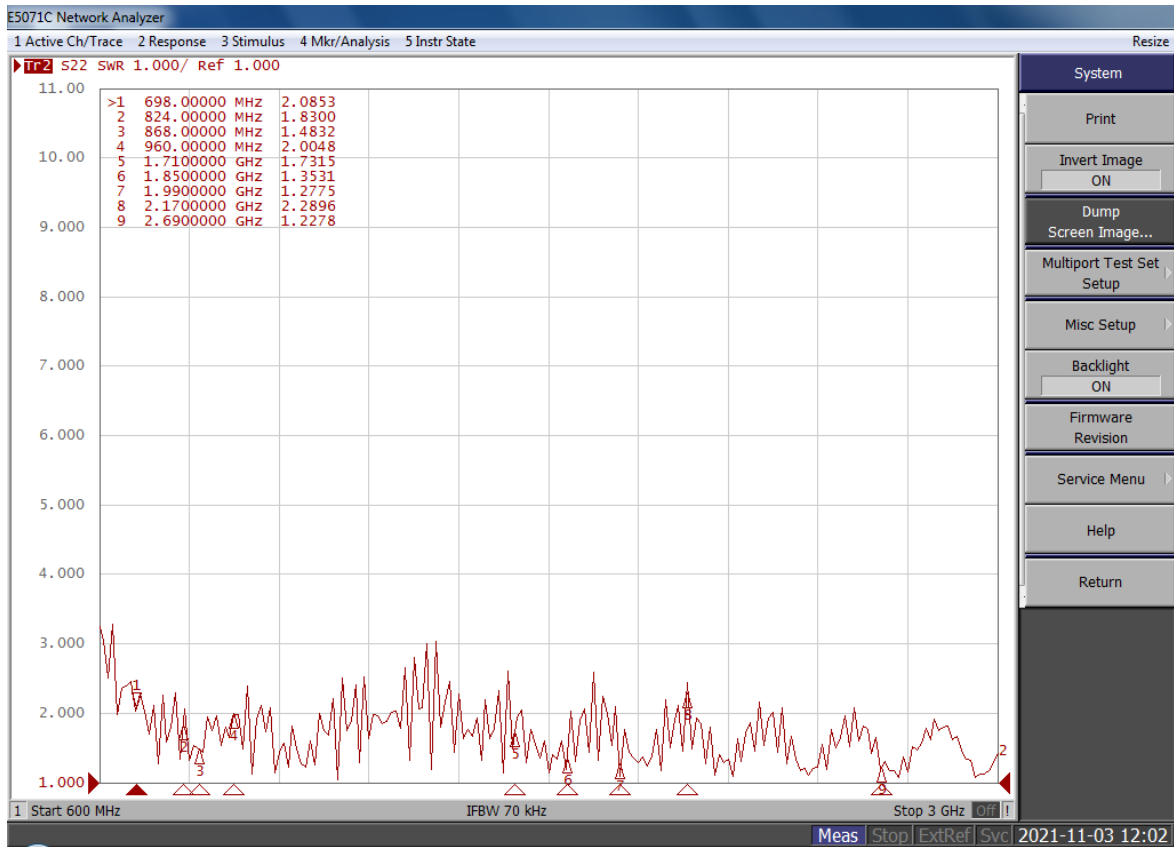
Technology	LTE
Frequency bands	698-960MHz/1710-2690/4900-5825 MHz
Bandwidth	-
Gain	2.5 dBi
VSWR	<3.0:1
Impedance	50 Ohm
Directivity	Omnidirectional
Beam angle	H 360° V 30°
Polarization	Linear
Maximum input power	10 W
Power voltage	-
Dimensions	Ø97 x 16.1 mm
Weight	210 g
Operating temperature	-40 to +85 °C
Execution	External
Method of attachment	Adhesive
Cable type	3x LMR100
The cable length	3x 3 m
Connector type	2x SMA(m), 1x SMA-RP(f-pin)
Certification	RoHS
IP code	IP67

DRAWING

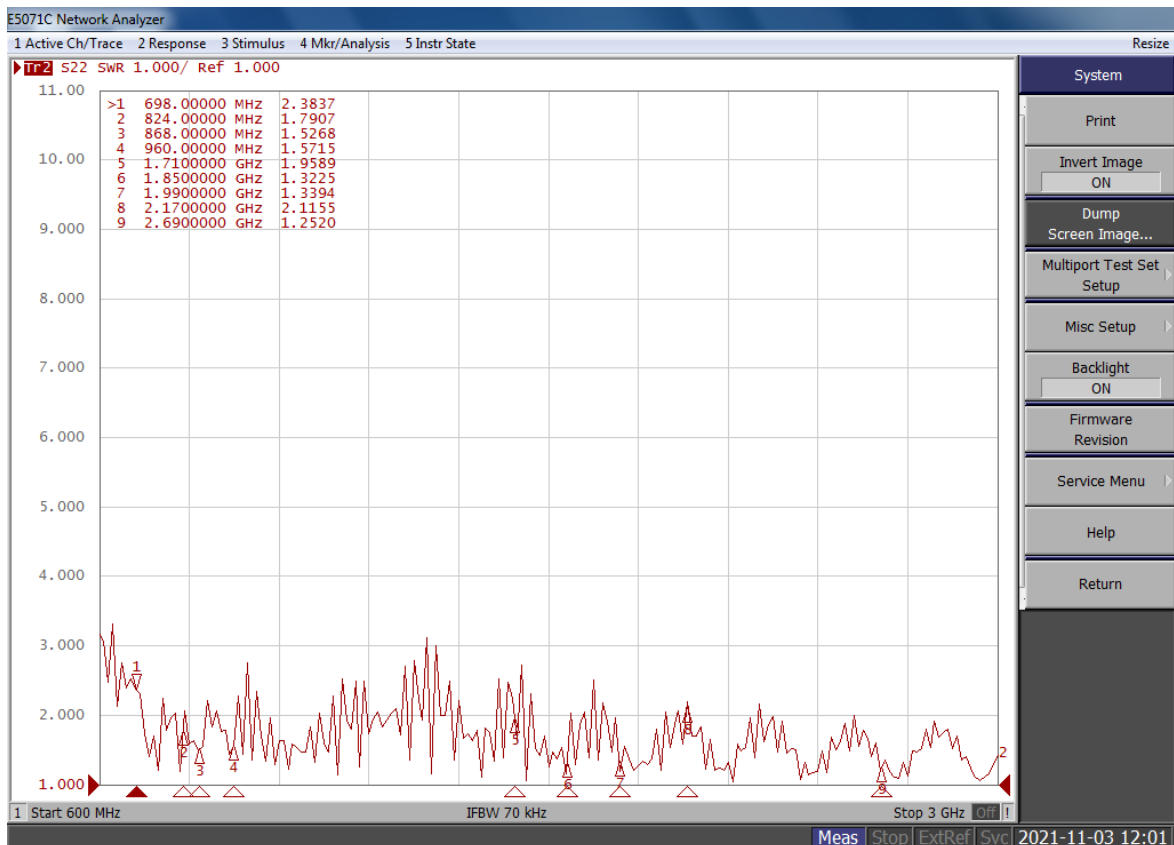


UNIT:mm

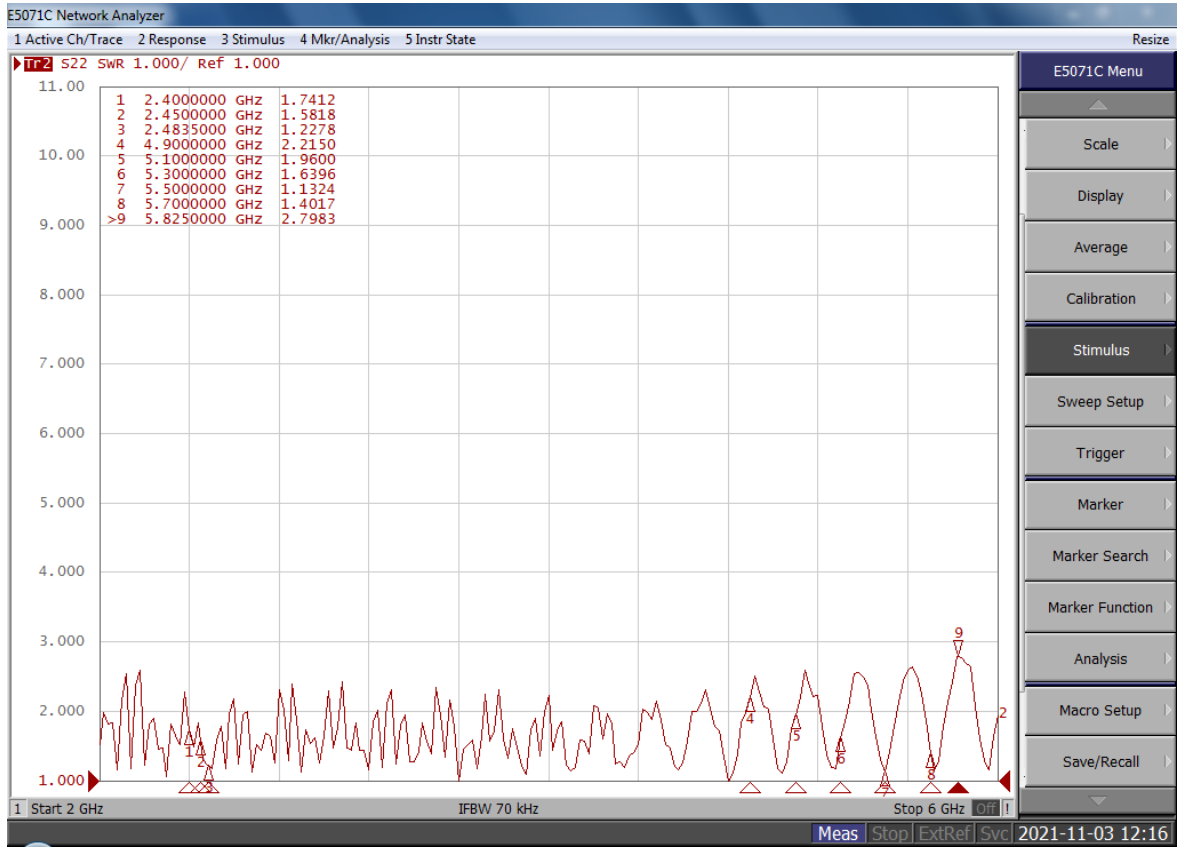
VSWR – Voltage standing wave ratio [-]



VSWR – Voltage standing wave ratio [-]



SWR – Voltage standing wave ratio [-]



Frequency [MHz]	VSWR [-] [dB]
698	2.38
824	1.79
868	1.53
960	1.57
1 710	1.96
1 850	1.32
1 990	1.34
2 170	2.12
2.69	1.25

Tabulka 1: LTE - AUX

Frequency [MHz]	VSWR [-] [dB]
698	2.08
824	1.83
868	1.48
960	2.00
1 710	1.73
1 850	1.35
1 990	1.28
2 170	2.29
2.69	1.23

Tabulka 2: LTE - MAIN

Frequency [MHz]	VSWR [-] [dB]
2 400	1.74
2 450	1.58
2 483.5	1.23
4 900	2.22
5 100	1.96
5 300	1.64
5 500	1.13
5 700	1.40
5 825	2.80

Tabulka 3: WIFI

Different connector variants or cable lengths are available on request.

CONTACTS

SECTRON s.r.o. Josefa Šavla 1271/12
709 00 Ostrava 9, Czech Republic

WWW.SECTRON.CZ
Tel.: +420 556 621 020