



GSM/GPS ANTENNA

Antenna GSM/GPS Adhesive PUK,
2 x SMA (m), 2 x RG174/5m

AO-AKOM-30SS

SECTRON company offers a wide portfolio of GSM/GPS antennas with various versions differing in shape, level of gain and manner of attachment. SECTRON guarantees a compatible connection between an antenna and all antenna adaptors produced by SECTRON.

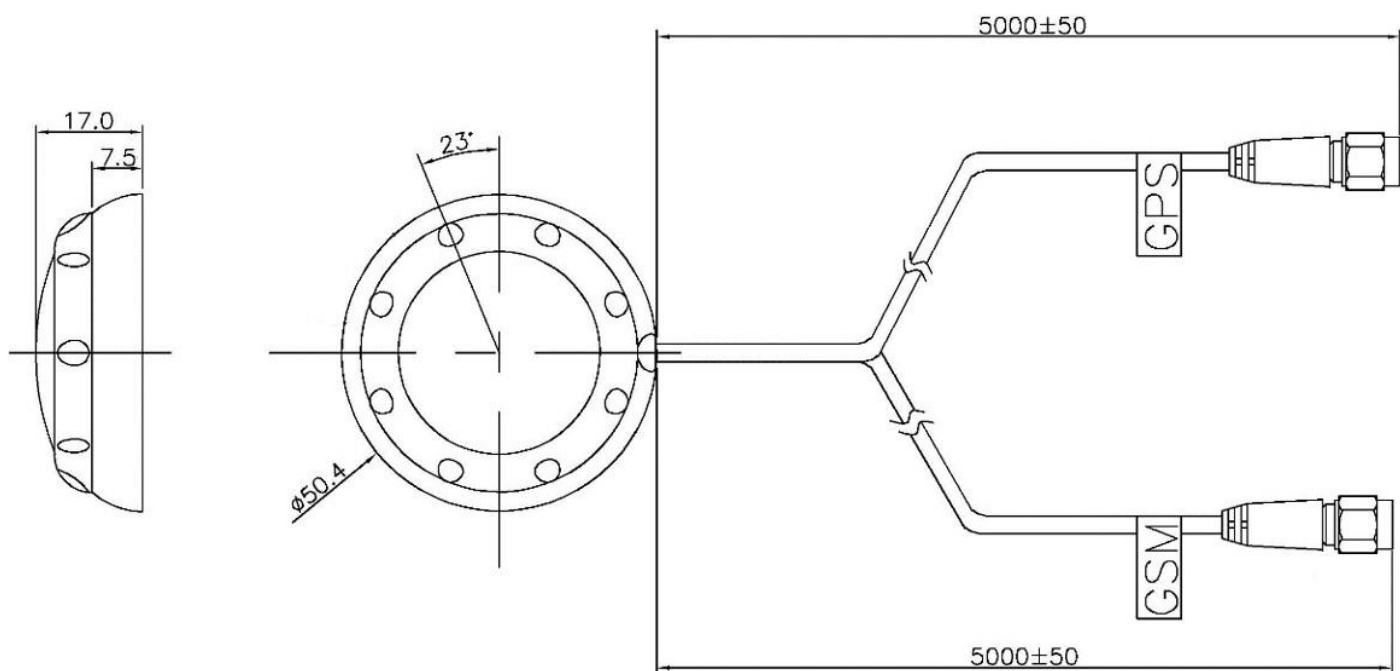


BENEFITS

- Anti-vandal design
- Low VSWR
- Easy installation

Technology	GSM/GPS
Frequency bands	900/1800/1575.42 MHz
Bandwidth	-
Gain	0/30 dBi
VSWR	<2.0:1 / <1.8:1
Impedance	50 Ohm
Directivity	Omnidirectional
Beam angle	H 360° V 30°
Polarization	Linear/R.H.C.P.
Maximum input power	10 W
Power voltage	-
Dimensions	Ø50.4 x 17 mm
Weight	134.81 g
Operating temperature	-30 to +90 °C
Execution	External
Method of attachment	Adhesive
Cable type	2 x RG174/U
The cable length	2 x 5 m
Connector type	2 x SMA (m)

DRAWING



Unit: mm

Different connector variants or cable lengths are available on request.

CONTACTS

SECTRON s.r.o. Josefa Šavla 1271/12
709 00 Ostrava 9, Czech Republic

WWW.SECTRON.CZ
Tel.: +420 556 621 020