



GSM ANTENNA

Antenna GSM Adhesive 25,
4.6 dBi, SMA(m), RG174U/3m

AO-AGSM-SA1S

SECTRON company offers a wide portfolio of GSM antennas with various versions differing in shape, level of gain and manner of attachment. SECTRON guarantees a compatible connection between an antenna and all antenna adaptors produced by SECTRON.



BENEFITS

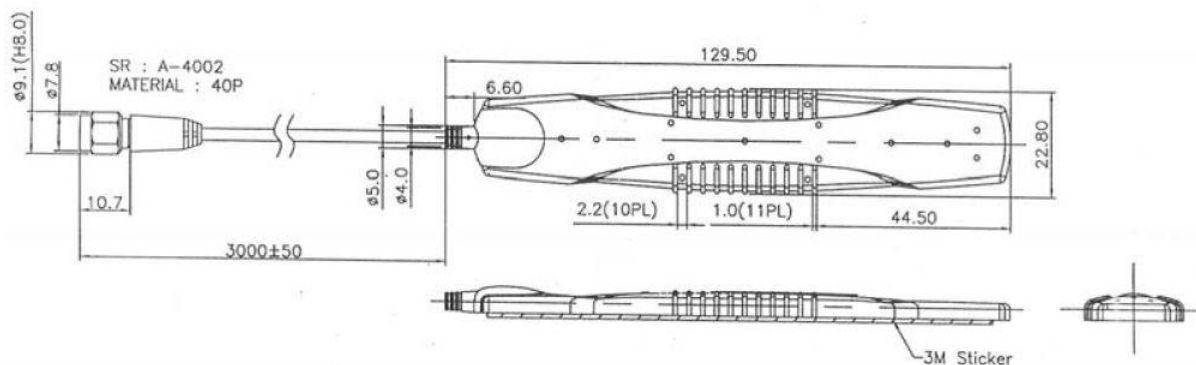
- Low VSWR
- Easy installation

FEATURES

AO-AGSM-SA1S

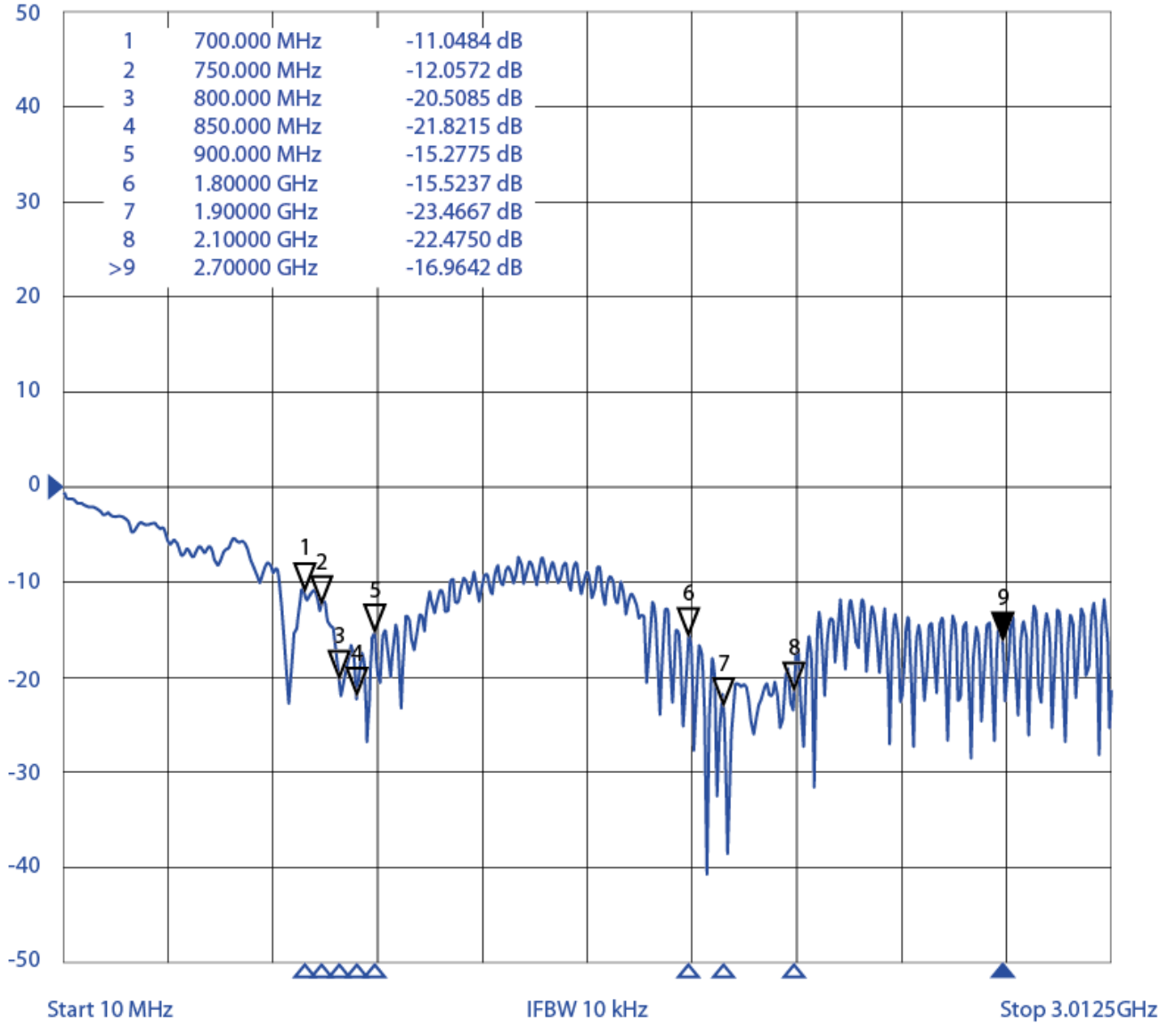
| | |
|-----------------------|---|
| Technology | GSM |
| Frequency bands | 700/750/800/850/900/1800/1900/2100/2700 MHz |
| Bandwidth | - |
| Gain | 4.66 dBi |
| VSWR | <2.0:1 |
| Impedance | 50 Ohm |
| Directivity | Omnidirectional |
| Beam angle | H 360° V 30° |
| Polarization | Vertical |
| Maximum input power | 10 W |
| Power voltage | - |
| Dimensions | 129.5 x 22.8 x 6.7 mm |
| Weight | 51.54 g |
| Operating temperature | -30 to +80 °C |
| Execution | External |
| Method of attachment | Adhesive |
| Cable type | RG174/U |
| The cable length | 3 m |
| Connector type | SMA(m) |
| Certification | RoHS |

DRAWING




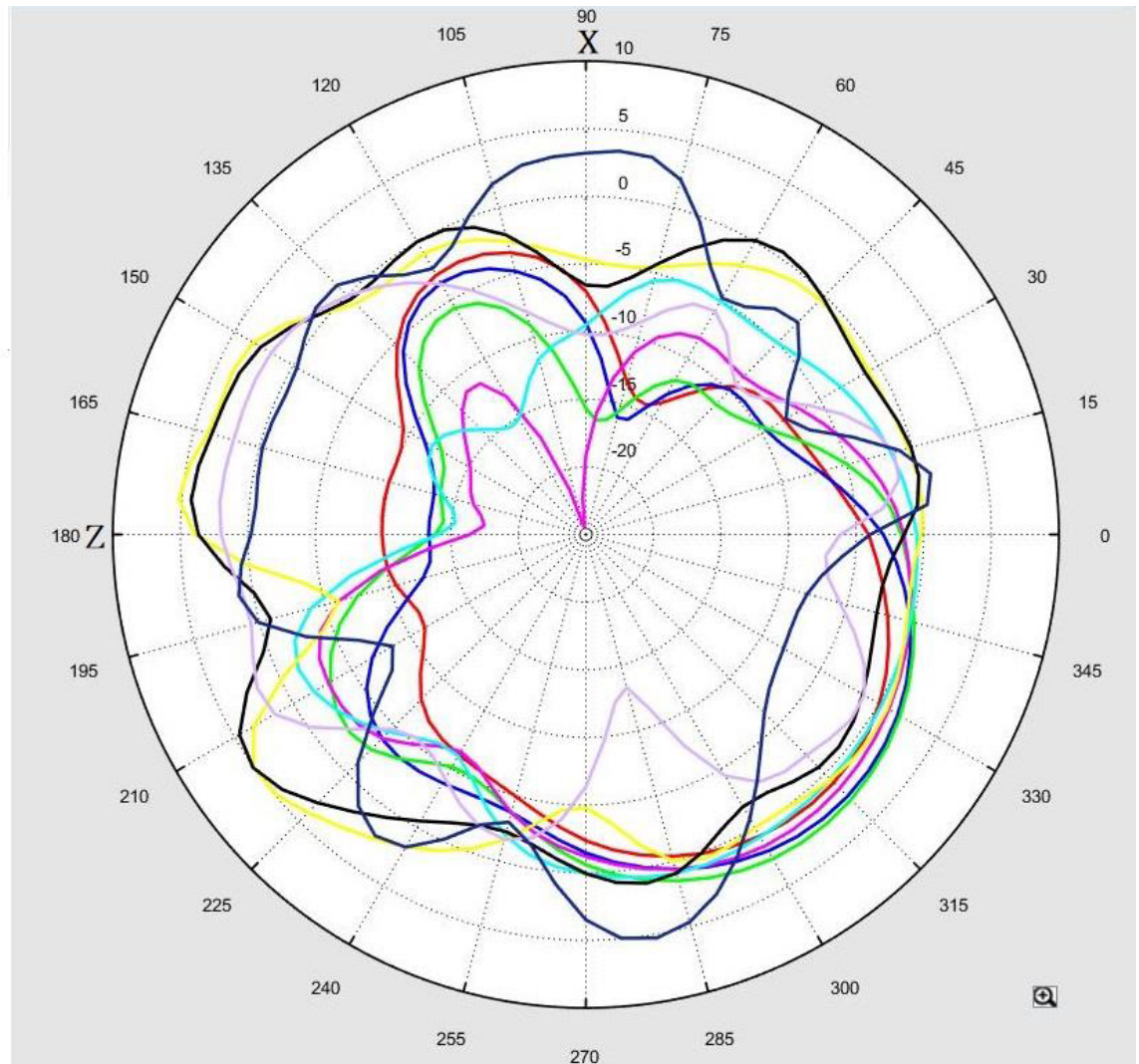
S_{11} - Return Loss [dB]

Tr2 S11 Refl LoaM RefLvl: 0 dB Res: 10 dB/Div



2D RADIATION PATTERN

| Freq. / Chan. | Color |
|---------------|---|
| 700MHz |  |
| 750MHz |  |
| 800MHz |  |
| 850MHz |  |
| 900MHz |  |
| 1.8GHz |  |
| 1.9GHz |  |
| 2.1GHz |  |
| 2.7GHz |  |



SUMMARY

| Frequency [MHz] | S_{11} [dB] | VSWR [-] | Efficiency [%] | Gain [dBi] |
|-----------------|---------------|----------|----------------|------------|
| 700 | -11.04 | 1.8 | 44.57 | 1.06 |
| 750 | -12.05 | 1.69 | 50.35 | 2.46 |
| 800 | -20.50 | 1.20 | 56.23 | 2.8 |
| 850 | -21.82 | 1.18 | 54.7 | 2.17 |
| 900 | -15.27 | 1.40 | 68.08 | 2.01 |
| 1800 | -15.52 | 1.40 | 76.21 | 4.08 |
| 1900 | -23.46 | 1.14 | 70.31 | 4.6 |
| 2100 | -22.47 | 1.17 | 34.59 | 2.53 |
| 2700 | -16.96 | 1.35 | 52.84 | 4.66 |

Different connector variants or cable lengths are available on request.

CONTACTS

SECTRON s.r.o. Josefa Šavla 1271/12
709 00 Ostrava 9, Czech Republic

WWW.SECTRON.CZ
Tel.: +420 556 621 020