



GSM ANTENNA

Antenna GSM Adhesive 25,
2.5 dBi, MCX(m)R/A,
RG174/40 cm

AO-AGSM-SA1M

SECTRON company offers a wide portfolio of GSM antennas with various versions differing in shape, level of gain and manner of attachment. SECTRON guarantees a compatible connection between an antenna and all antenna adaptors produced by SECTRON.

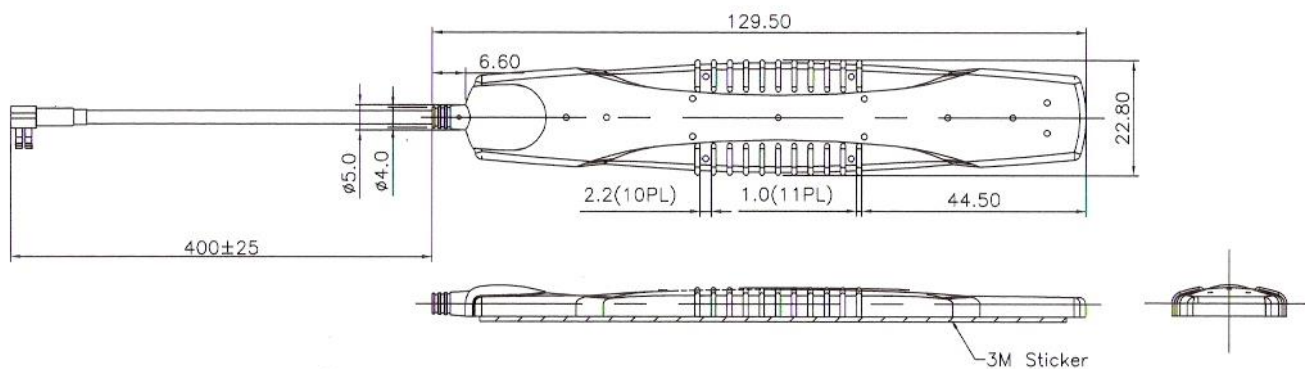


BENEFITS

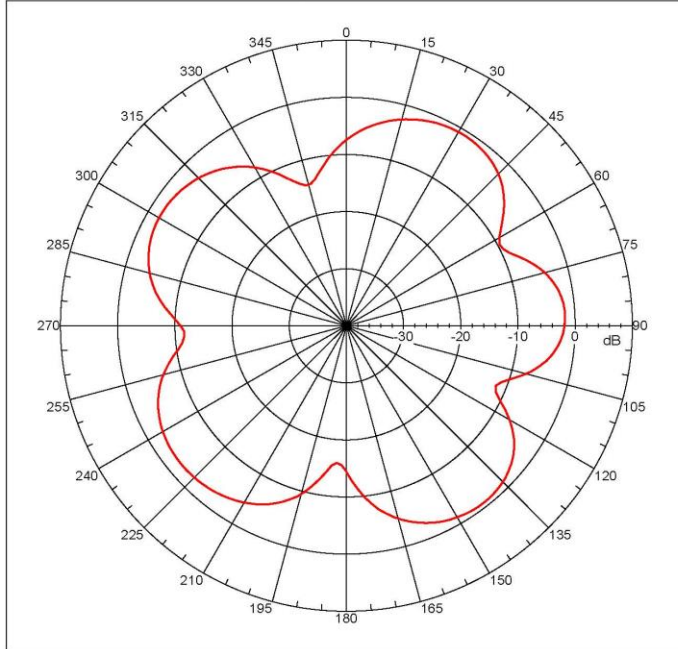
- Low VSWR
- Easy installation
- Omnidirectional - suitable for moving devices

| | |
|-----------------------|-----------------------|
| Technology | GSM |
| Frequency bands | 800/900/1700/1800 MHz |
| Bandwidth | - |
| Gain | 2.5 dBi |
| VSWR | <2.0:1 |
| Impedance | 50 Ohm |
| Directivity | Omnidirectional |
| Beam angle | H 360° V 30° |
| Polarization | Vertical |
| Maximum input power | 10 W |
| Power voltage | - |
| Dimensions | 129.5 x 22.8 x 6.7 mm |
| Weight | 24.23 g |
| Operating temperature | -30 to +80 °C |
| Execution | External |
| Method of attachment | Adhesive |
| Cable type | RG174/U |
| The cable length | 40 cm |
| Connector type | MCX(m)90° |

DRAWING



Far-field amplitude of AG-08.nsi



```

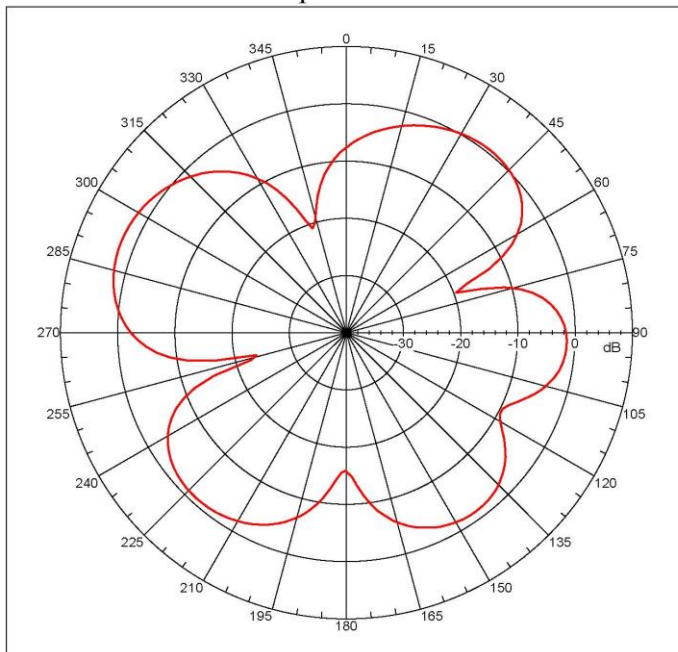
Far-field amplitude, Eprincipal: Linear, Tau = 0.000 deg
Gain = -5.78415 dBi
Max far-field (global) = -41.71016 dB, Max far-field (plot) =
-41.7102 dB
Normalization: Reference, Network offset = 0.000 dB
Rpeak at: 141.99999 deg, Vpeak at: 0.000 deg
Plot centering: On

AG-08E-Plane cut scan. Feeding cable at bottom side around RJC
been covered by absorber to reduce possible coupling with
AUT.

NSI2000 V4.0.124, Filename:C:\nsi2000\T.Y.HUB\RF-28A\AG-08.nsi
Measurement date/time: 5/17/2007 4:32:48 PM, Filetype: NSI-97
Far-field Cut Analysis:
Avg value: -4.046 dB
-3. dB beam width: 35.82 deg
-6. dB beam width: 48.72 deg
-15. dB beam width: 69.07 deg
Left Sidelobe: -0.76 dB at 87.486 deg
Right Sidelobe: Not Found
Far-field display setup
Azimuth (deg)
Span = 365.00001 deg, Center = 0.000 deg, #pts = 181
Start = -180.00001 deg, Stop = 180.00001 deg, Delta = 2.000
deg
Elevation (deg)
Center = 0.000 deg, #pts = 1

Selected beam(s) 1 of 6
Beam Frequency Azimuth Elevation Pol
----
1 0.890 GHz Azimuth Elevation Single-pol
    
```

Far-field amplitude of AG-08.nsi



```

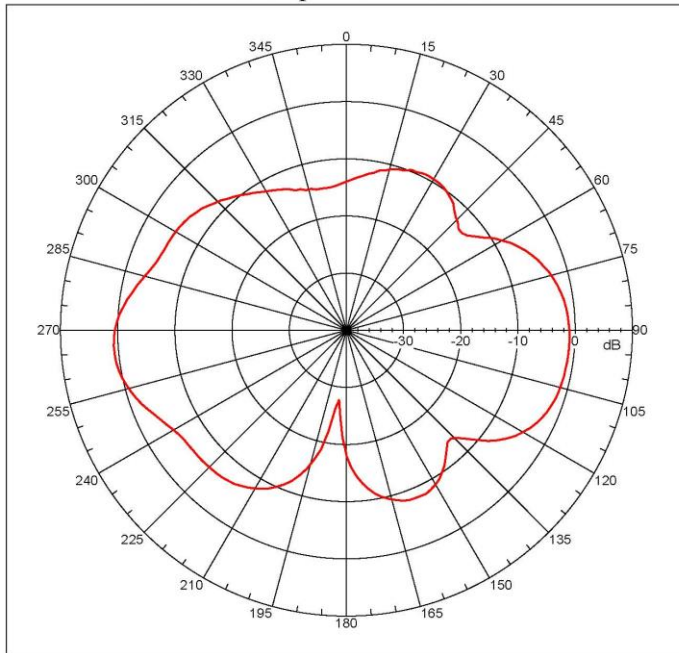
Far-field amplitude, Eprincipal: Linear, Tau = 0.000 deg
Gain = 2.42511 dBi
Max far-field (global) = -40.19456 dB, Max far-field (plot) =
-40.19457 dB
Normalization: Reference, Network offset = 0.000 dB
Rpeak at: -68.000 deg, Vpeak at: 0.000 deg
Plot centering: On

AG-08E-Plane cut scan. Feeding cable at bottom side around RJC
been covered by absorber to reduce possible coupling with
AUT.

NSI2000 V4.0.124, Filename:C:\nsi2000\T.Y.HUB\RF-28A\AG-08.nsi
Measurement date/time: 5/17/2007 4:32:48 PM, Filetype: NSI-97
Far-field Cut Analysis:
Avg value: -3.720 dB
-3. dB beam width: 38.56 deg
-6. dB beam width: 52.85 deg
-15. dB beam width: 65.24 deg
Left Sidelobe: -3.39 dB at -137.765 deg
Right Sidelobe: -1.04 dB at 39.218 deg
Far-field display setup
Azimuth (deg)
Span = 365.00001 deg, Center = 0.000 deg, #pts = 181
Start = -180.00001 deg, Stop = 180.00001 deg, Delta = 2.000
deg
Elevation (deg)
Center = 0.000 deg, #pts = 1

Selected beam(s) 1 of 6
Beam Frequency Azimuth Elevation Pol
----
1 0.950 GHz Azimuth Elevation Single-pol
    
```

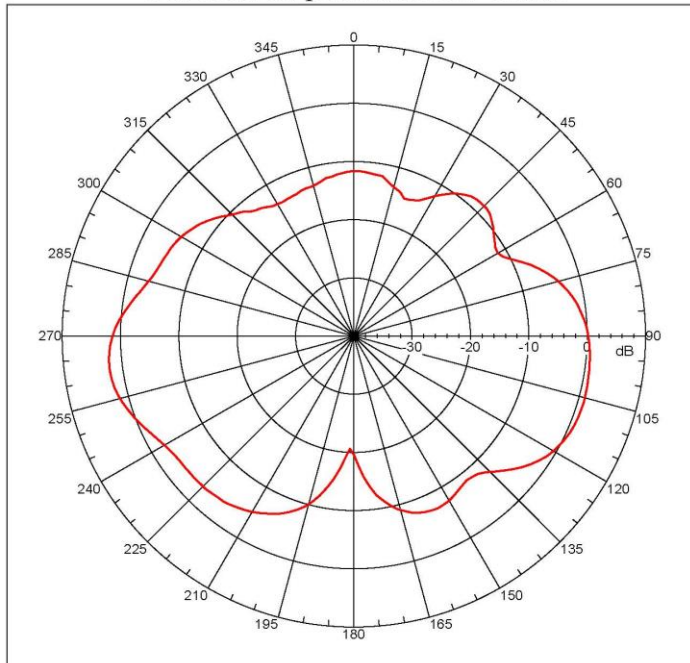
Far-field amplitude of AG-08.nsi



Far-field amplitude, Eprincipal: Linear, Tau = 0.000 deg
 Gain = 0.74775 dBi
 Max far-field (global) = -44.30258 dB, Max far-field (plot) =
 -44.30262 dB
 Normalization: Reference, Network offset = 0.000 dB
 Hpeak at: -94.00001 deg, Vpeak at: 0.000 deg
 Plot centering: On
 AG-08E-Plane cut scan. Feeding cable at bottom side around RJC
 beam covered by absorber to reduce possible coupling with
 AUT.
 NSI2000 V4.0.124, Filename:C:\nsi2000\T.Y.HUS\PP-28A\AG-08.nsi
 Measurement date/time: 5/17/2007 4:32:48 PM, Filetype: NSI-97
 Far-field Cut Analysis:
 Avg Value: -6.658 dB
 -3. dB beam width: 31.71 deg
 -6. dB beam width: 55.67 deg
 -10. dB beam width: 113.56 deg
 Left sidelobe: Not Found
 Right sidelobe: -18.17 dB at 29.162 deg
 Far-field display setup
 Azimuth (deg)
 Span = 360.00001 deg, Center = 0.000 deg, #pts = 181
 Start = -180.00001 deg, Stop = 180.00001 deg, Delta = 2.000
 deg
 Elevation (deg)
 Center = 0.000 deg, #pts = 1
 Selected beam(s) 1 of 6
 Beam Frequency Azimuth Elevation Pol

 4 1.710 GHz Azimuth Elevation Single-pol

Far-field amplitude of AG-08.nsi



Far-field amplitude, Eprincipal: Linear, Tau = 0.000 deg
 Gain = 0.22258 dBi
 Max far-field (global) = -44.30981 dB, Max far-field (plot) =
 -44.30983 dB
 Normalization: Reference, Network offset = 0.000 dB
 Hpeak at: -98.00001 deg, Vpeak at: 0.000 deg
 Plot centering: On
 AG-08E-Plane cut scan. Feeding cable at bottom side around RJC
 beam covered by absorber to reduce possible coupling with
 AUT.
 NSI2000 V4.0.124, Filename:C:\nsi2000\T.Y.HUS\PP-28A\AG-08.nsi
 Measurement date/time: 5/17/2007 4:32:48 PM, Filetype: NSI-97
 Far-field Cut Analysis:
 Avg value: -5.331 dB
 -3. dB beam width: 30.47 deg
 -6. dB beam width: 65.36 deg
 -10. dB beam width: 107.67 deg
 Left sidelobe: Not Found
 Right Sidelobe: -13.91 dB at 3.017 deg
 Far-field display setup
 Azimuth (deg)
 Span = 360.00001 deg, Center = 0.000 deg, #pts = 181
 Start = -180.00001 deg, Stop = 180.00001 deg, Delta = 2.000
 deg
 Elevation (deg)
 Center = 0.000 deg, #pts = 1
 Selected beam(s) 1 of 6
 Beam Frequency Azimuth Elevation Pol

 5 1.800 GHz Azimuth Elevation Single-pol

| VARIANT | PART NUMBER |
|--|--------------|
| Antenna GSM Adhesive 25/open, 2.5dBi, RG174/3m | AO-AGSM-SA1 |
| Antenna GSM Adhesive 25, 2.5dBi, MMCX(m)R/A, RG174 2m | AO-AGSM-SA1C |
| Antenna GSM Adhesive 25, 2.5dBi, FME(f), RG174/3m | AO-AGSM-SA1F |
| Antenna GSM Adhesive 25, 2.5dBi, MCX(m)R/A, RG174/40cm | AO-AGSM-SA1M |
| Antenna GSM Adhesive 25, 2.5dBi, SMA(m), RG174U/3m | AO-AGSM-SA1S |

CONTACTS

SECTRON s.r.o. Josefa Šavla 1271/12
709 00 Ostrava 9, Czech Republic

WWW.SECTRON.CZ
Tel.: +420 556 621 020