



# GSM ANTENNA

Antenna GSM Screw Mount R36,  
SMA(m), RG174/3m, IP67

AO-AGSM-36S

SECTRON company offers a wide portfolio of GSM antennas with various versions differing in shape, level of gain and manner of attachment. SECTRON guarantees a compatible connection between an antenna and all antenna adaptors produced by SECTRON.



## BENEFITS

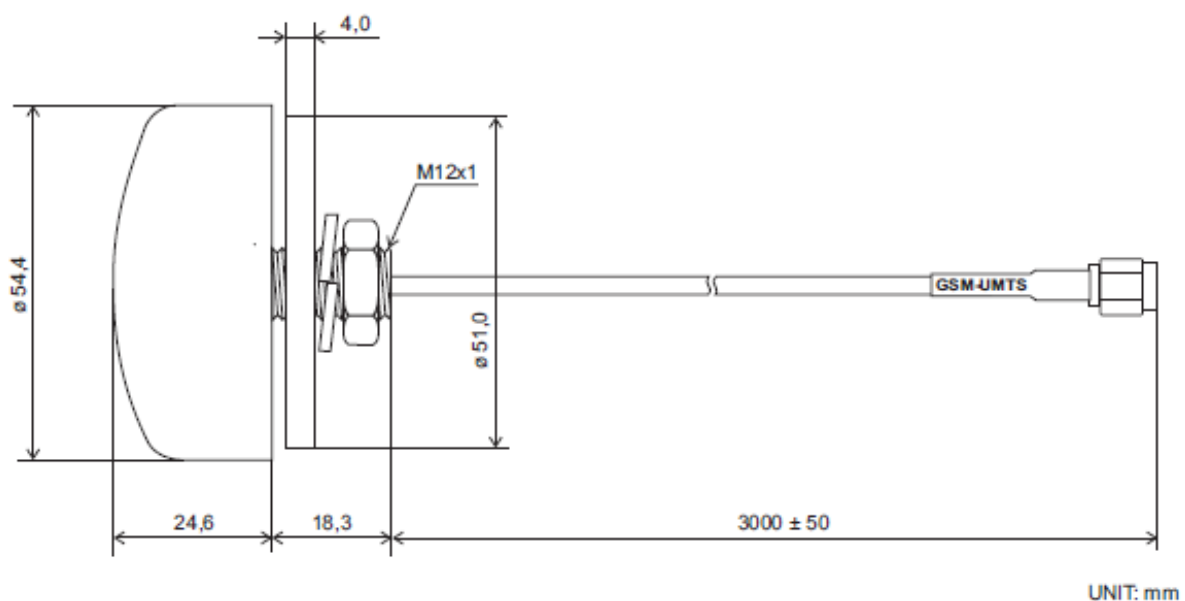
- Low VSWR
- Omnidirectional

## FEATURES

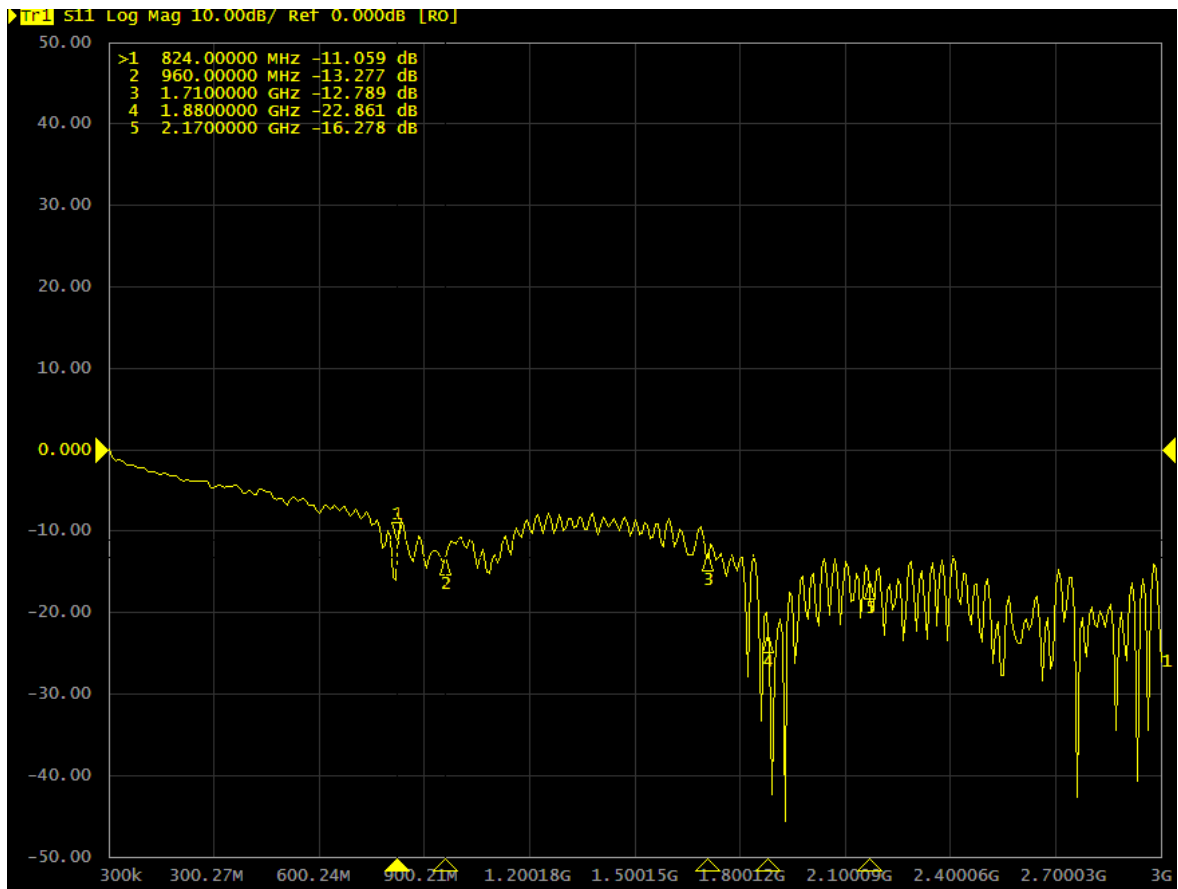
AO-AGSM-36S

Technology	GSM/UMTS
Frequency bands	800/900/1700/1800/1900/2100 MHz
Bandwidth	-
Gain	2 dBi
VSWR	<2.0:1
Impedance	50 Ohm
Directivity	Omnidirectional
Beam angle	H 360° V 30°
Polarization	Linear
Maximum input power	10 W
Power voltage	-
Dimensions	Ø 54.4 x 42.9 mm
Weight	118.95 g
Operating temperature	-30 to +90 °C
Execution	External
Method of attachment	Screw Mount
Cable type	RG174 / U
The cable length	3 m
Connector type	SMA(m)

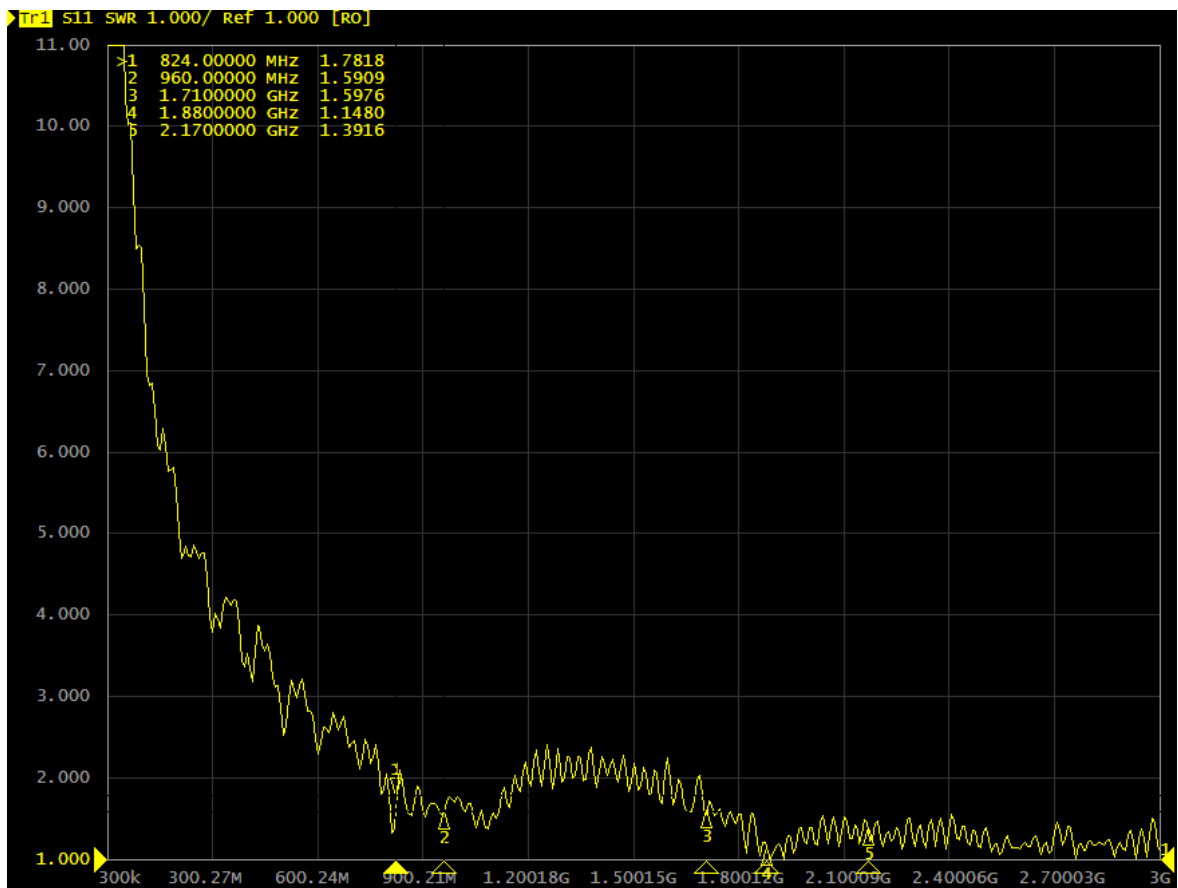
## DRAWING



$S_{11}$  - Return Loss [dB]

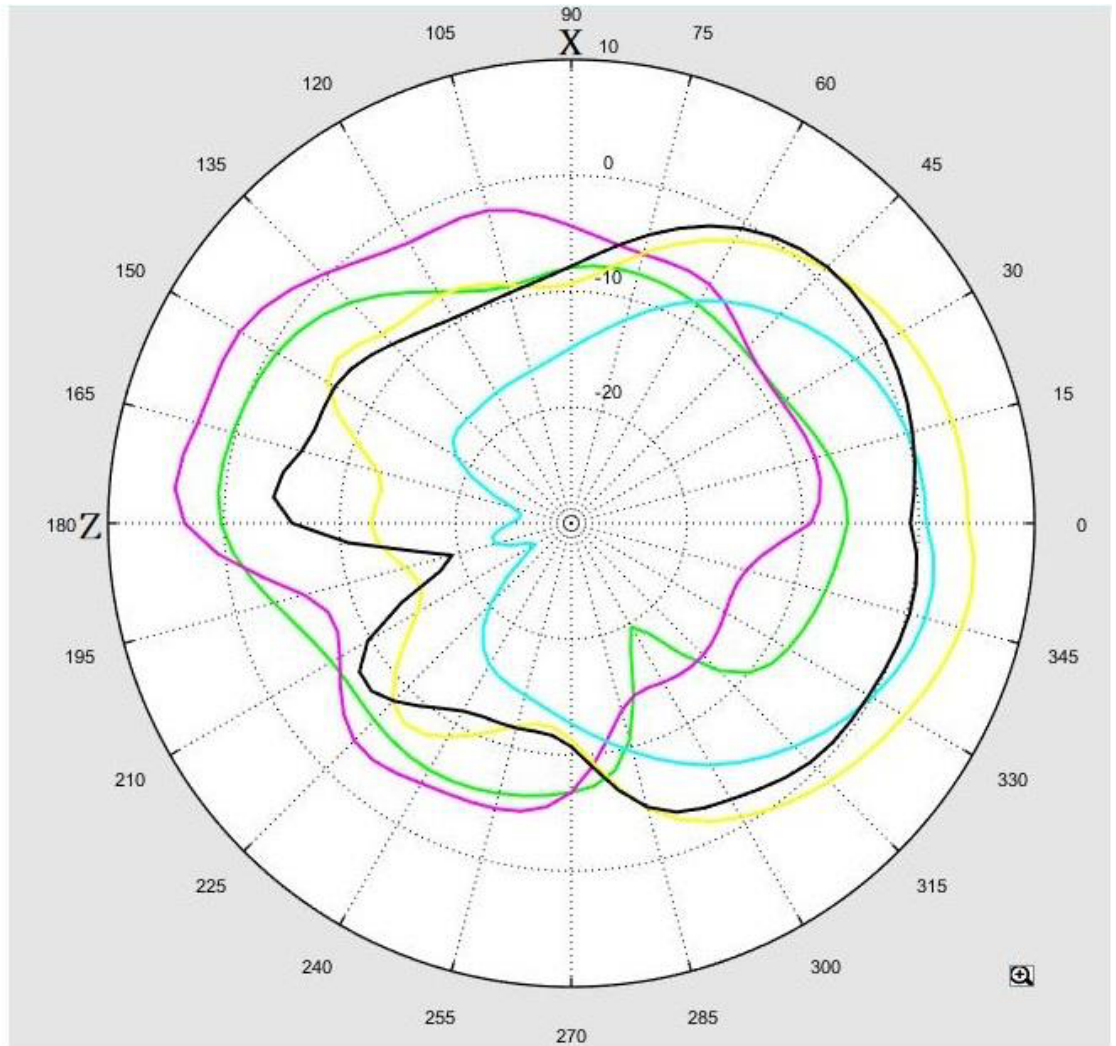


VSWR – Voltage standing wave ratio [-]



2D RADIATION PATTERN

Freq. / Chan.	Color
824MHz	Green
960MHz	Magenta
1.71GHz	Cyan
1.88GHz	Yellow
2.17GHz	Black



Frequency [MHz]	$S_{11}$ [dB]	VSWR [-]	Gain [dBi]	Efficiency [%]
824	-11.05	1.78	0.25	28.18
960	-13.27	1.59	3.4	47.21
1710	-12.78	1.59	2.28	19.1
1880	-22.86	1.14	6.09	53.7
2170	-16.27	1.39	2.41	39.08

Different connector variants or cable lengths are available on request.

SECTRON s.r.o. Josefa Šavla 1271/12  
709 00 Ostrava 9, Czech Republic

WWW.SECTRON.CZ  
Tel.: +420 556 621 020