



ISM ANTENNA

Antenna ISM Connector Mount G015,
868 MHz, 2 dBi, SMA(m) 90°

AO-A868-G015-RS

SECTRON company offers a wide portfolio of ISM antennas with various versions differing in shape, level of gain and manner of attachment. SECTRON guarantees a compatible connection between an antenna and all antenna adaptors produced by SECTRON.

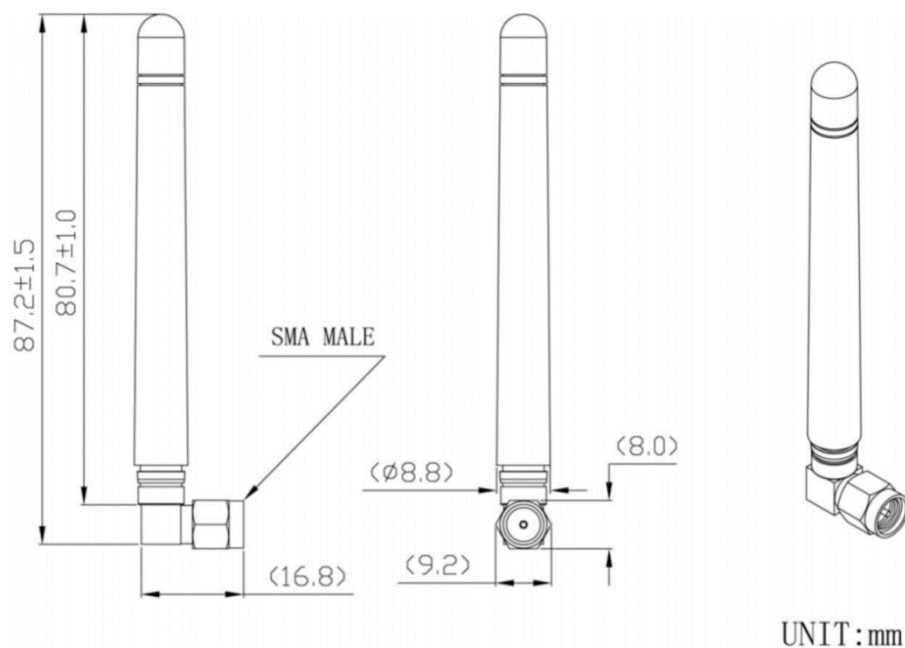


BENEFITS

- Low VSWR
- Easy installation

| | |
|-----------------------|----------------------|
| Technology | ISM/LoRa/SIGFOX |
| Frequency bands | 868 MHz |
| Bandwidth | - |
| Gain | 2 dBi |
| VSWR | <2.0:1 |
| Impedance | 50 Ohm |
| Directivity | Omnidirectional |
| Beam angle | H 360° V 30° |
| Polarization | Linear |
| Maximum input power | 10 W |
| Power voltage | - |
| Dimensions | 87.2 x 16.8 x 9.2 mm |
| Weight | 8.34g |
| Operating temperature | -40 to +85 °C |
| Execution | External |
| Method of attachment | Connector Mount |
| Cable type | - |
| The cable length | - |
| Connector type | SMA(m) 90° |

DRAWING



VSWR – Voltage standing wave ratio [-]

