

U.FL(f) to SMA(f), LP-040, 10 cm AM-67-US10



SECTRON company offers a wide portfolio of high-quality handmade cable adaptors in various versions for M2M applications.

SECTRON product portfolio includes brand connectors and coaxial cables in diameters from 0.8 mm to 10 mm suitable for frequencies up to 6 GHz. Using the latest technologies and our experience in the field, we will manufacture and test each RF cable adaptor exactly for your device.

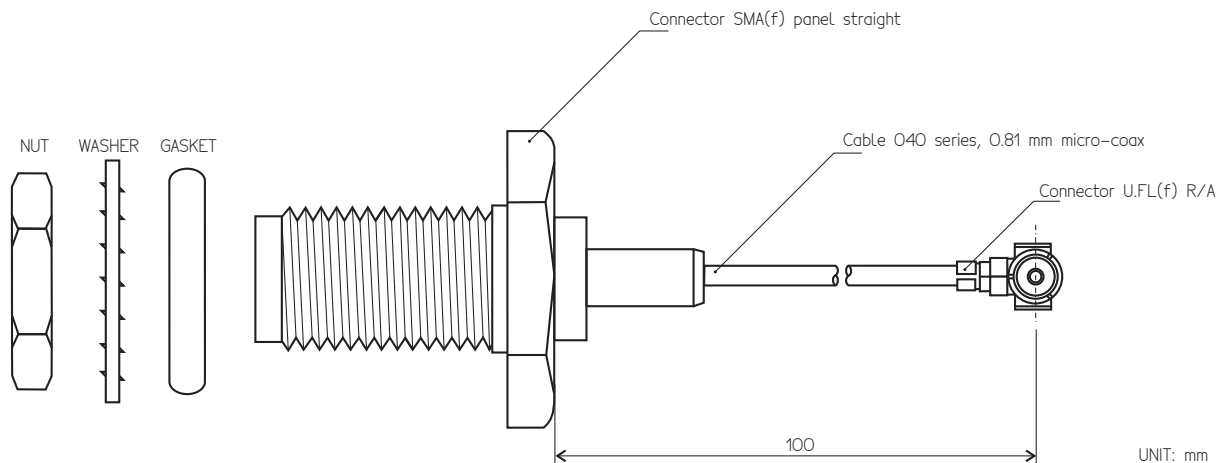
BENEFITS

- High reliability thanks to precise design
- Low Insertion loss
- Low VSWR

FEATURES

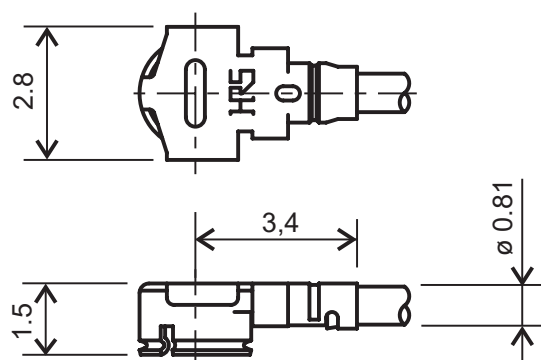
Frequency range	Up to 3 GHz
Impedance	50 ± 2 Ohm
Maximum VSWR	< 1.4:1 (3 GHz)
Maximum Insertion Loss	-0.75 dB (3 GHz)
Voltage power	30 V
Maximum operating voltage	200 V AC/1 min
Cable type	Cable 040 series, Diameter 0.81 mm micro coax
Cable length	0.1 m
Connector type A	SMA(f)
Connector type B	U.FL
Operating temperature	-40 °C to +90 °C
Weight	4.5 g
Certification	RoHS

DRAWING - ADAPTOR



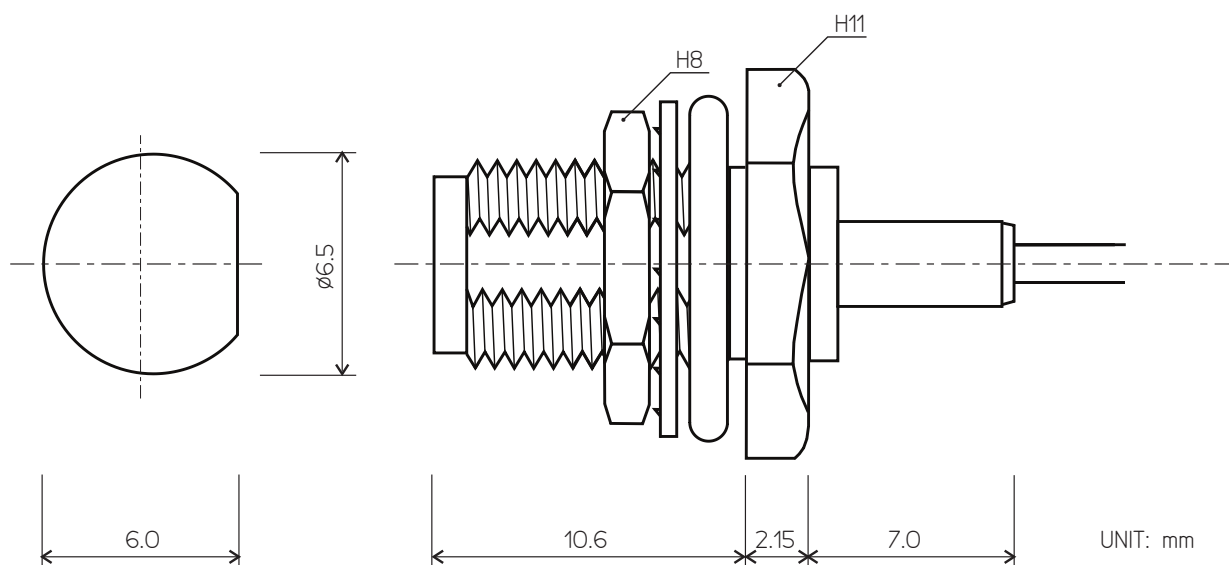
CONNECTORS PARAMETERS

Connector U.FL(f) R/A



UNIT: mm

Connector SMA(f) panel straight



UNIT: mm

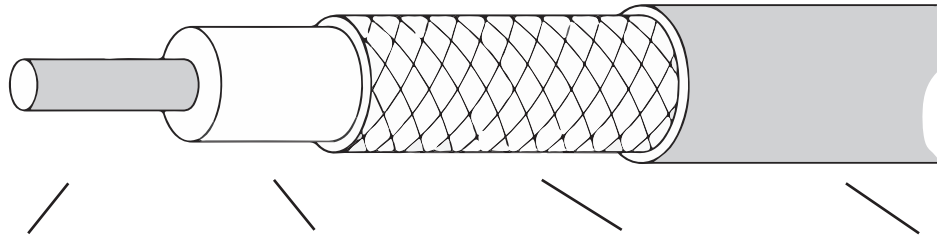
U.FL connector material

Shell	PH Bronze, Silver plated
Center Contact	PH Bronze, Gold plated
Insulator Plug	Polybutylene terephthalate (PBT)
Mating Cycles	30 cycles

SMA connector material

Body	Brass, Gold plated
Contact pin	PH Bronze, Gold plated
Lock Washer	Brass, Gold plated
Nut	Brass, Gold plated
Insulator	Teflon
Gasket	Silicone Rubber
Mating Cycles	500 cycles

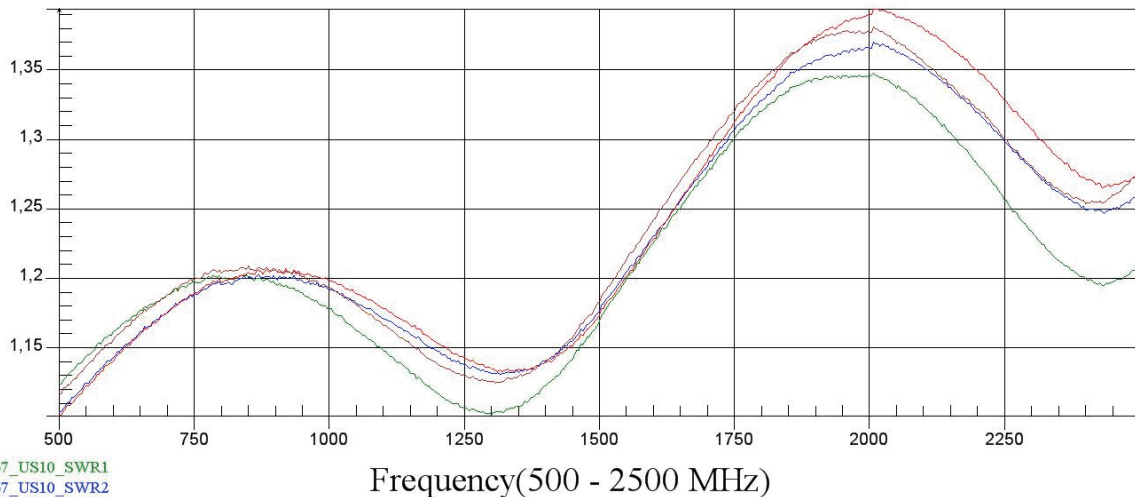
CABLE PARAMETERS



Inner Conductor	Insulation	Braid shield	Jacket
Material: Annealed Silvered Copper	Material: PFA	Material: Annealed Tinned Copper	Material: PFA
Stranding: 7×0.05 mm	Thickness: 0.125 mm	Type braid: 8×5×∅0.05 mm	Thickness: 0.08 mm
Outer diameter: 0.15 mm	Outer diameter: 0.4±0.02 mm	Outer diameter: 0.65 mm	Outer diameter: 0.81±0.02 mm

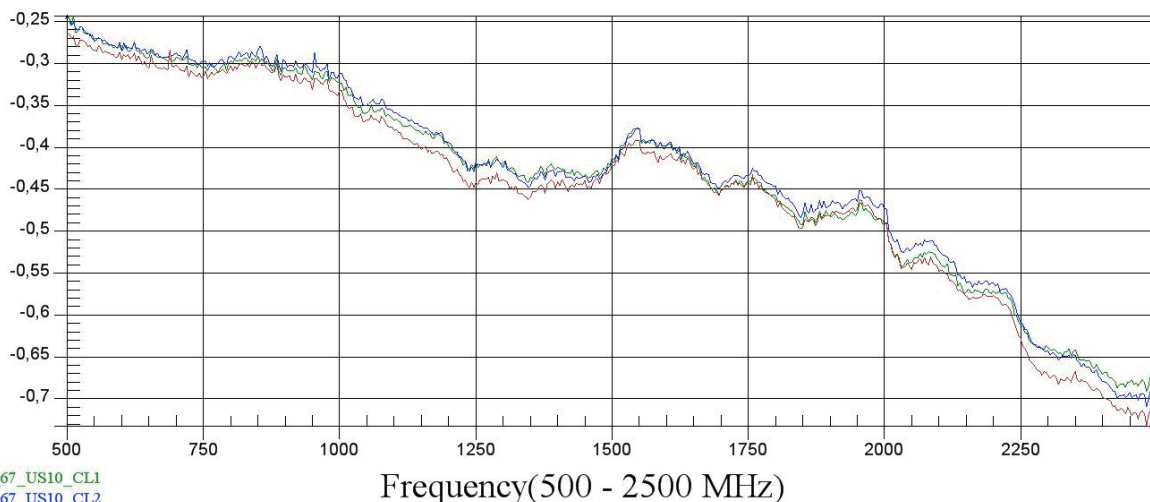
ADAPTOR MEASUREMENT

GRAPH VSWR - VOLTAGE STANDING WAVE RATIO [-]




AM_67_US10_SWR1
 AM_67_US10_SWR2
 AM_67_US10_SWR3
 AM_67_US10_SWR4


GRAPH S12 - INSERTION LOSS [dB]



AM_67_US10_CL1
 AM_67_US10_CL2
 AM_67_US10_CL3
 AM_67_US10_CL4

 CZ: +420 556 621 030
 INT: +420 556 621 020

 CZ: obchod@sectron.cz
 INT: sales@sectron.cz

 SECTRON s.r.o.
 Josefa Šavla 12, 709 00 Ostrava, Czech Republic