



WiFi ANTENNA

WiFi Internal PC15, PBC, 2.4/5.8 GHz,
IPEX MHF-4L(f) 90°, 1.13mm Coaxial
Cable/200mm

AW-A2458G-PC15I200

SECTRON company offers a wide portfolio of WiFi antennas with various versions differing in shape, level of gain and manner of attachment. SECTRON guarantees a compatible connection between an antenna and all antenna adaptors produced by SECTRON.

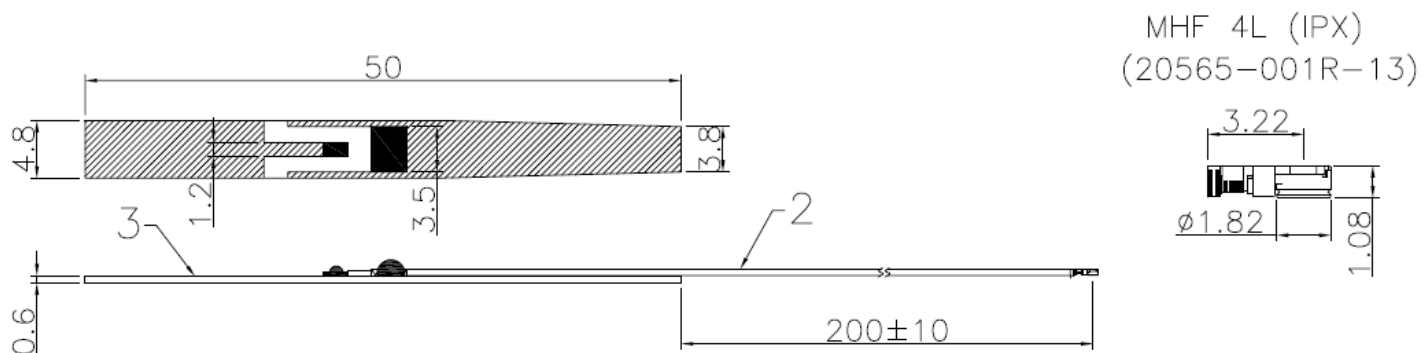


BENEFITS

- Low VSWR
- Minimalistic dimension

Technology	WiFi
Frequency bands	2.4/5 GHz
Bandwidth	-
Gain	3.5 dBi
VSWR	<2.0:1
Impedance	50 Ohm
Directivity	Directional
Beam angle	H 360° V 30°
Polarization	Linear
Maximum input power	10 W
Power voltage	-
Dimensions	50 x 4.8 x 0.6 mm
Weight	0.86 g
Operating temperature	-30 to +80 °C
Execution	Internal
Method of attachment	-
Cable type	1.13 RF Coaxial
The cable length	200 mm
Connector type	IPEX MHF-4L(f) 90°

DRAWING



VARIANTS

Different connector variants or cable lengths are available on request.

CONTACTS