



GSM/UMTS ANTENNA

Antenna GSM/UMTS

Magnet Mount U30, 3 dBi,
MMCX (m) straight,
RG174/3m

AO-AUMTS-M3C

SECTRON company offers a wide portfolio of GSM/UMTS antennas with various versions differing in shape, level of gain and manner of attachment. SECTRON guarantees a compatible connection between an antenna and all antenna adaptors produced by SECTRON.



BENEFITS

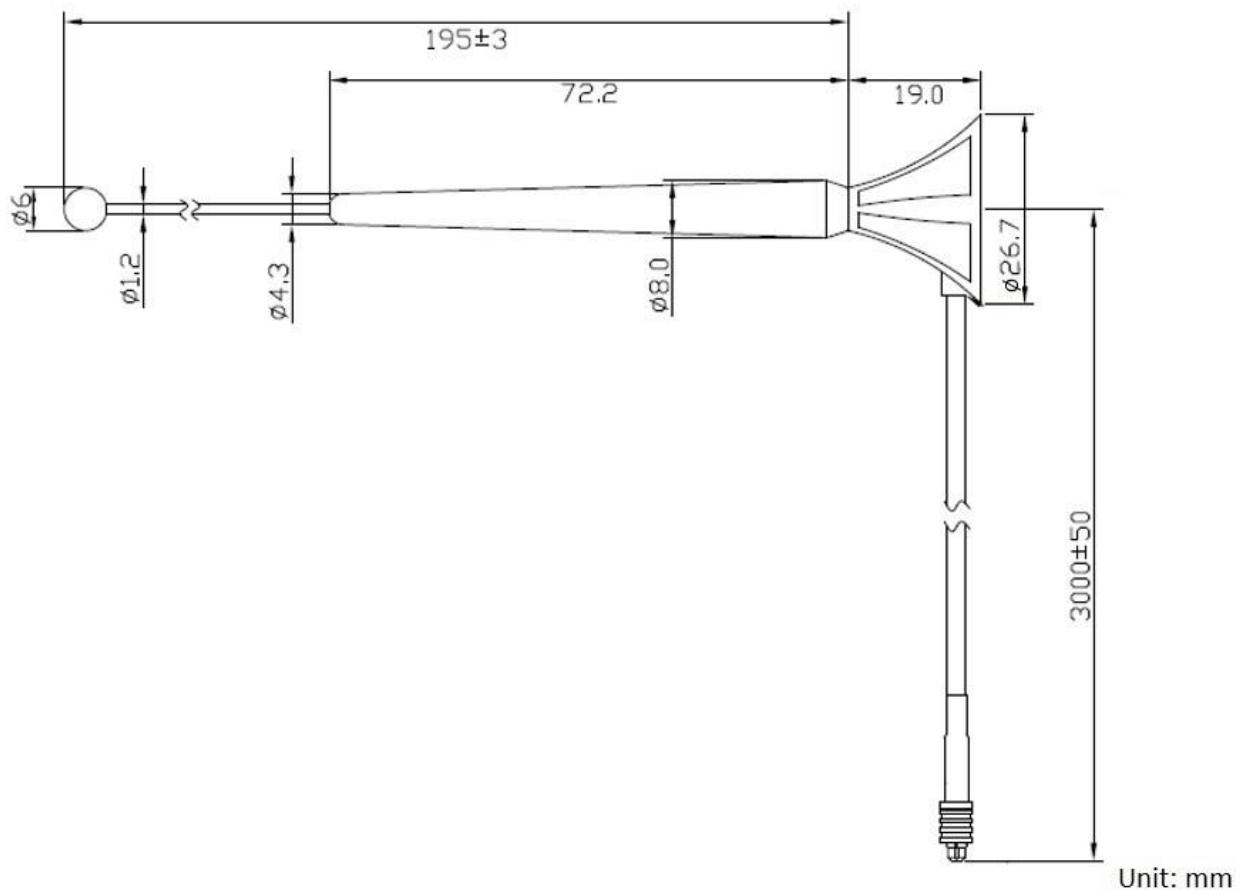
- Low VSWR
- Easy installation
- Omnidirectional - suitable for moving devices

FEATURES

AO-AUMTS-M3C

Technology	GSM/UMTS
Frequency bands	900/1800/1900/2100 MHz
Bandwidth	-
Gain	3 dBi
VSWR	<2.0:1
Impedance	50 Ohm
Directivity	Omnidirectional
Beam angle	H 360° V 30°
Polarization	Vertical
Maximum input power	10 W
Power voltage	-
Dimensions	214 x \varnothing 26.7 mm
Weight	43.26 g
Operating temperature	-40 to +85 °C
Execution	External
Method of attachment	Magnet Mount
Cable type	RG174/U
The cable length	3 m
Connector type	MMCX (m)

DRAWING



Different connector variants or cable lengths are available on request.