



LTE ANTENNA

LTE ANTENNA Antenna LTE MIMO
Mount PUK, RG174/3m, RG174/3m,
SMA(m), SMA(m)

AO-ALTE-39DS

SECTRON company offers a wide portfolio of LTE antennas with various versions differing in shape, level of gain and manner of attachment. SECTRON guarantees a compatible connection between an antenna and all antenna adaptors produced by SECTRON.



BENEFITS

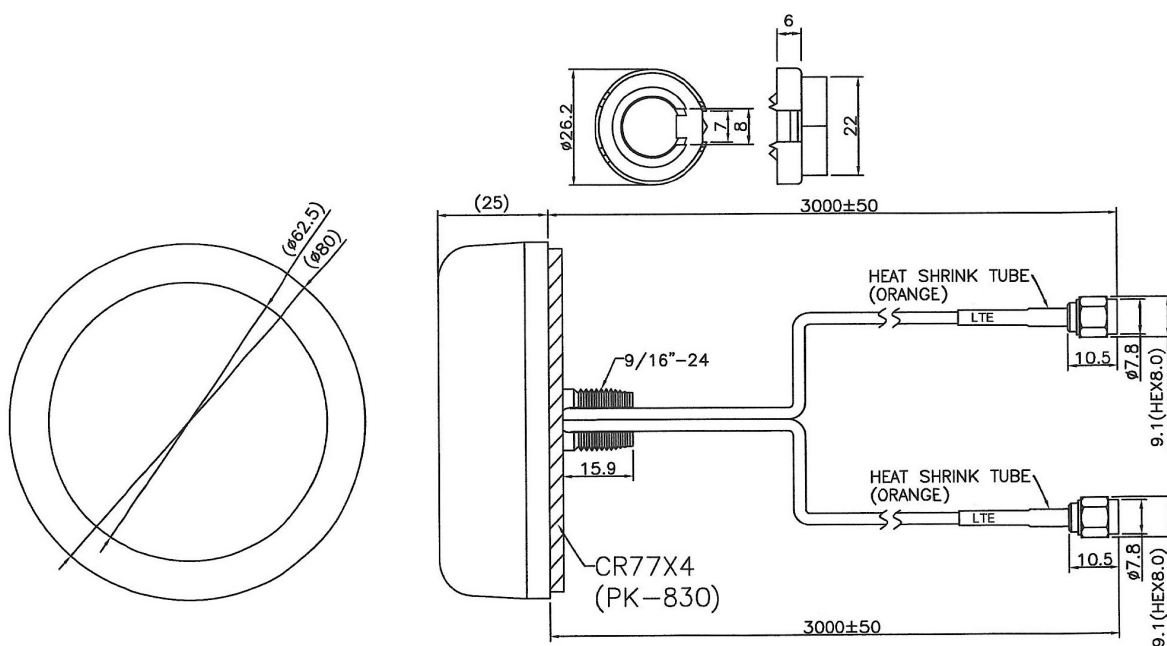
- Anti-vandal design
- MIMO antenna

FEATURES

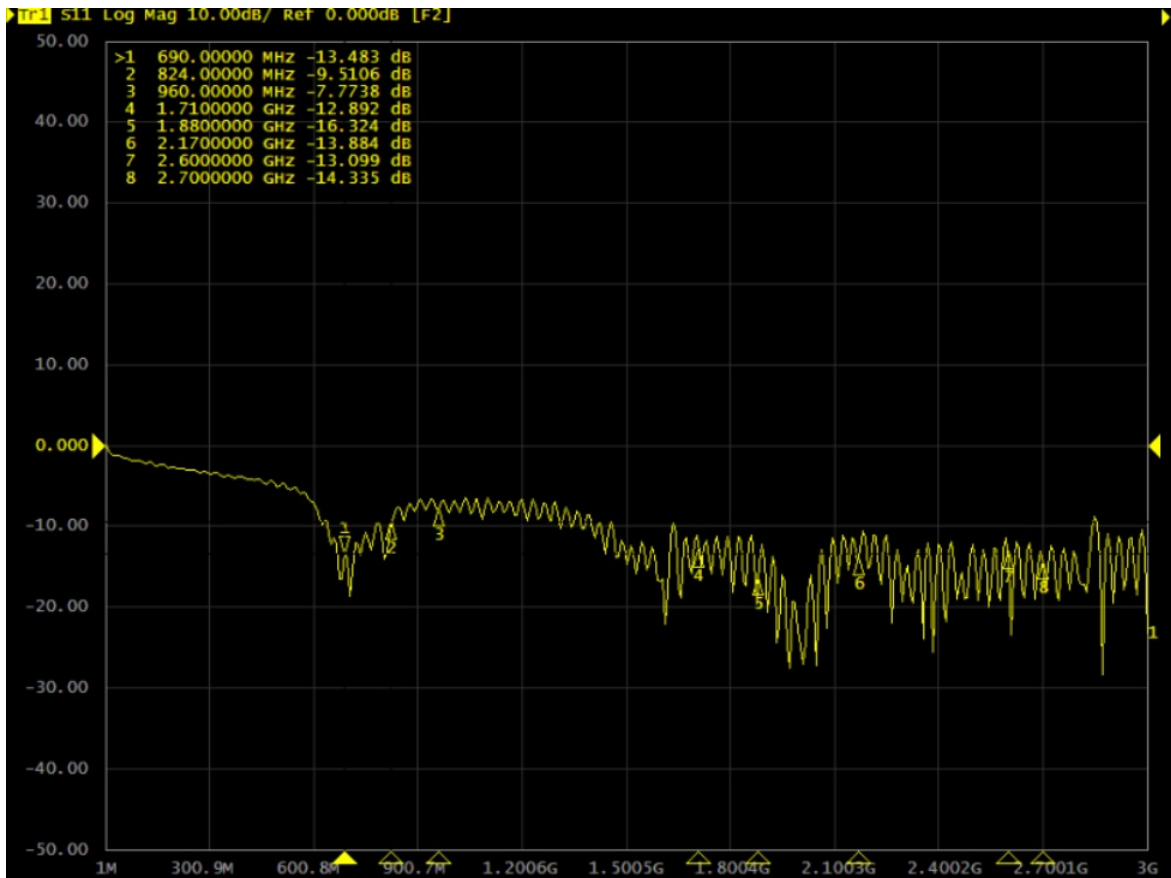
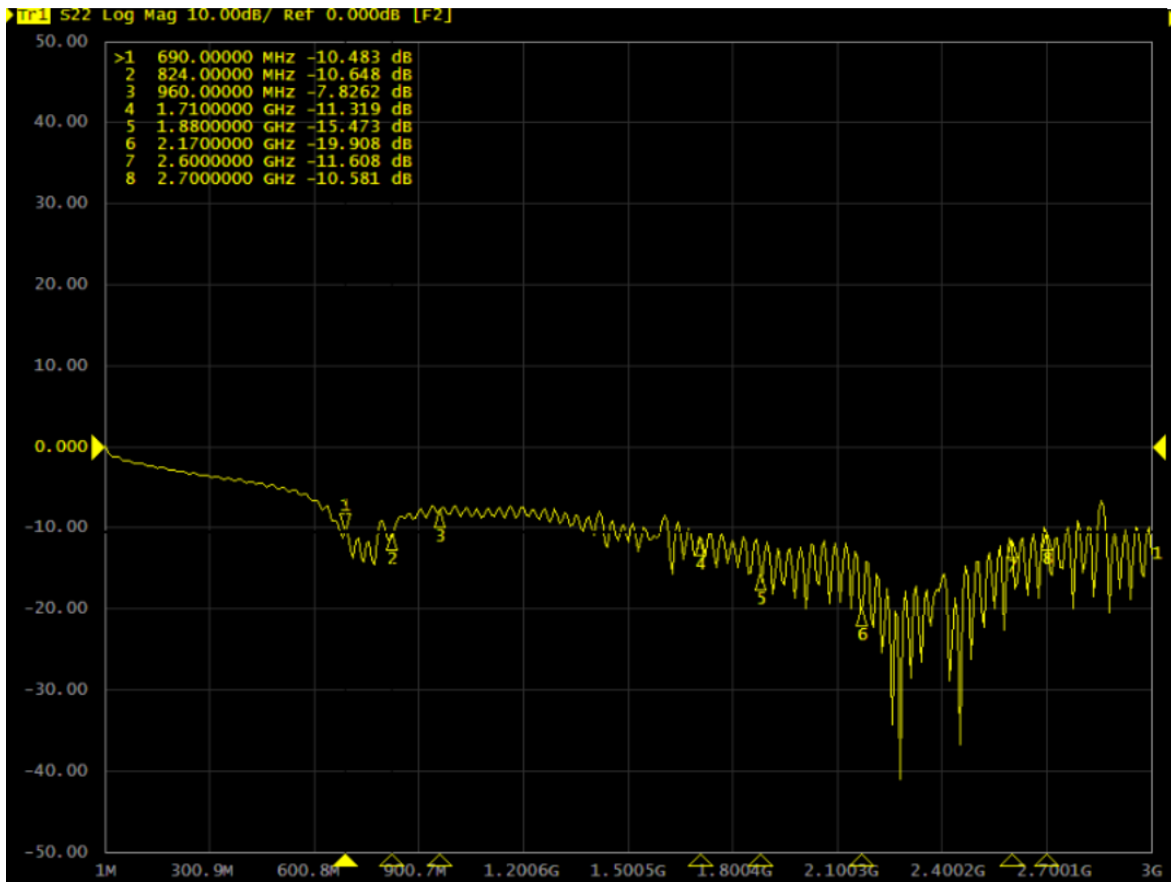
AO-ALTE-39DS

Technology	LTE
Frequency bands	700/800/900/1700/1800/1900/2100/2600/2700 MHz
Bandwidth	-
Gain	4 dBi
VSWR	<3.0:1
Impedance	50 Ohm
Directivity	Omnidirectional
Beam angle	H 360° V 30°
Polarization	Linear
Maximum input power	10 W
Power voltage	-
Dimensions	80 x 25 mm
Weight	157.57 g
Operating temperature	-30 to +90°C
Execution	External
Method of attachment	Mounting
Cable type	2 x RG174/U
The cable length	2 x 3 m
Connector type	2 x SMA(m)

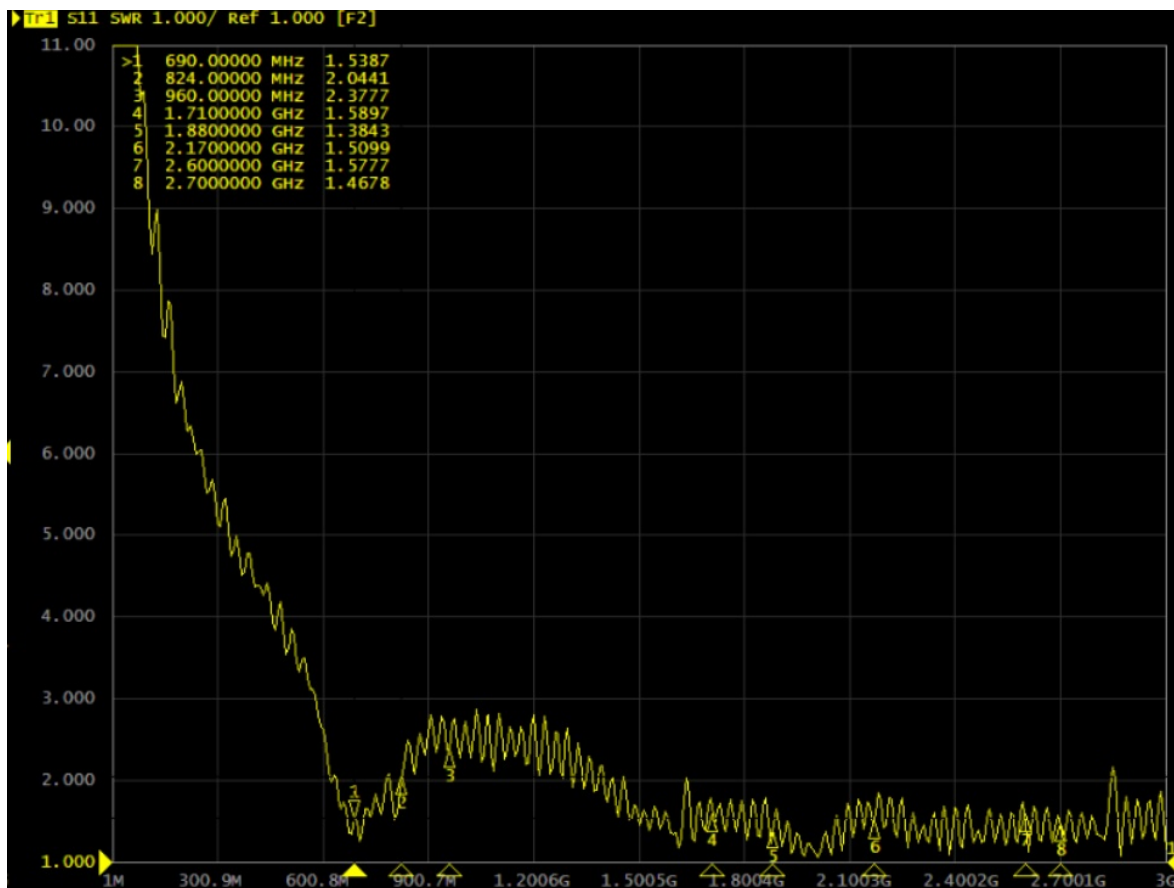
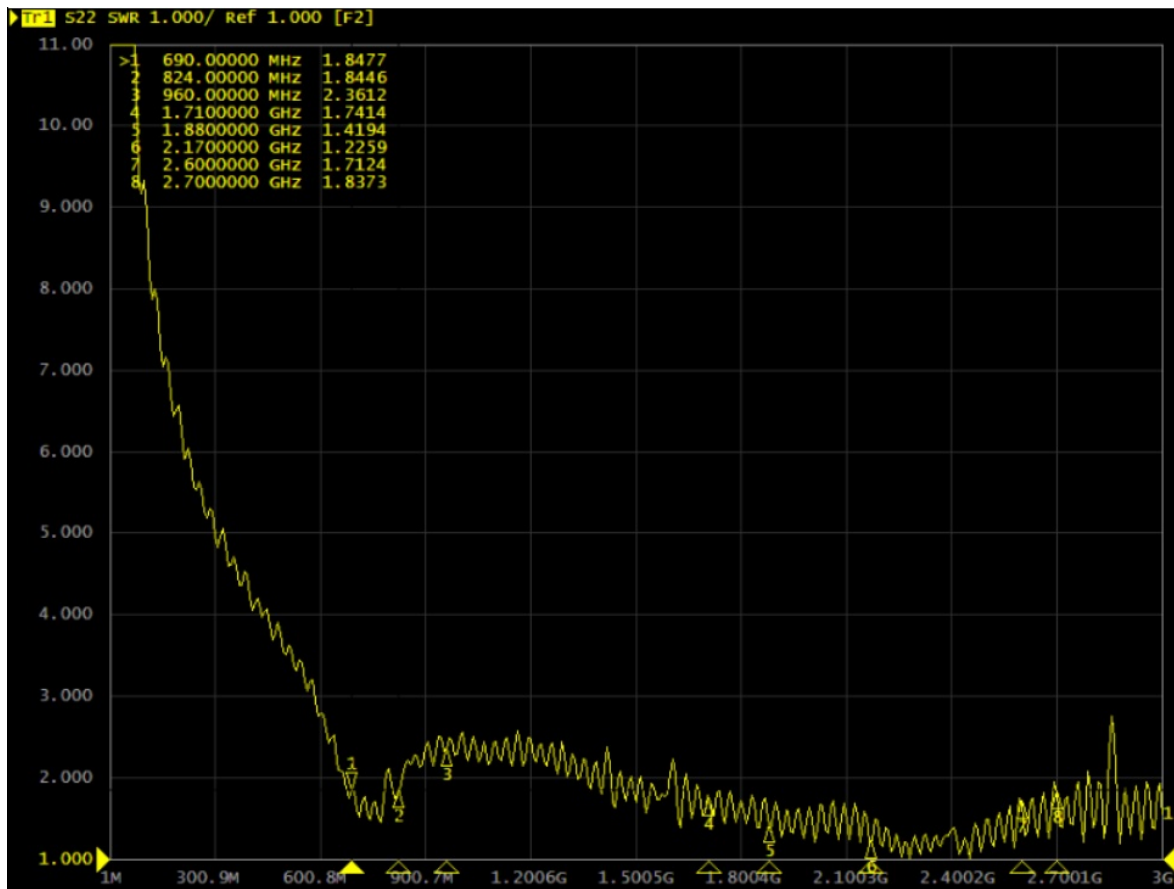
DRAWING



S_{11} - Return Loss [dB]

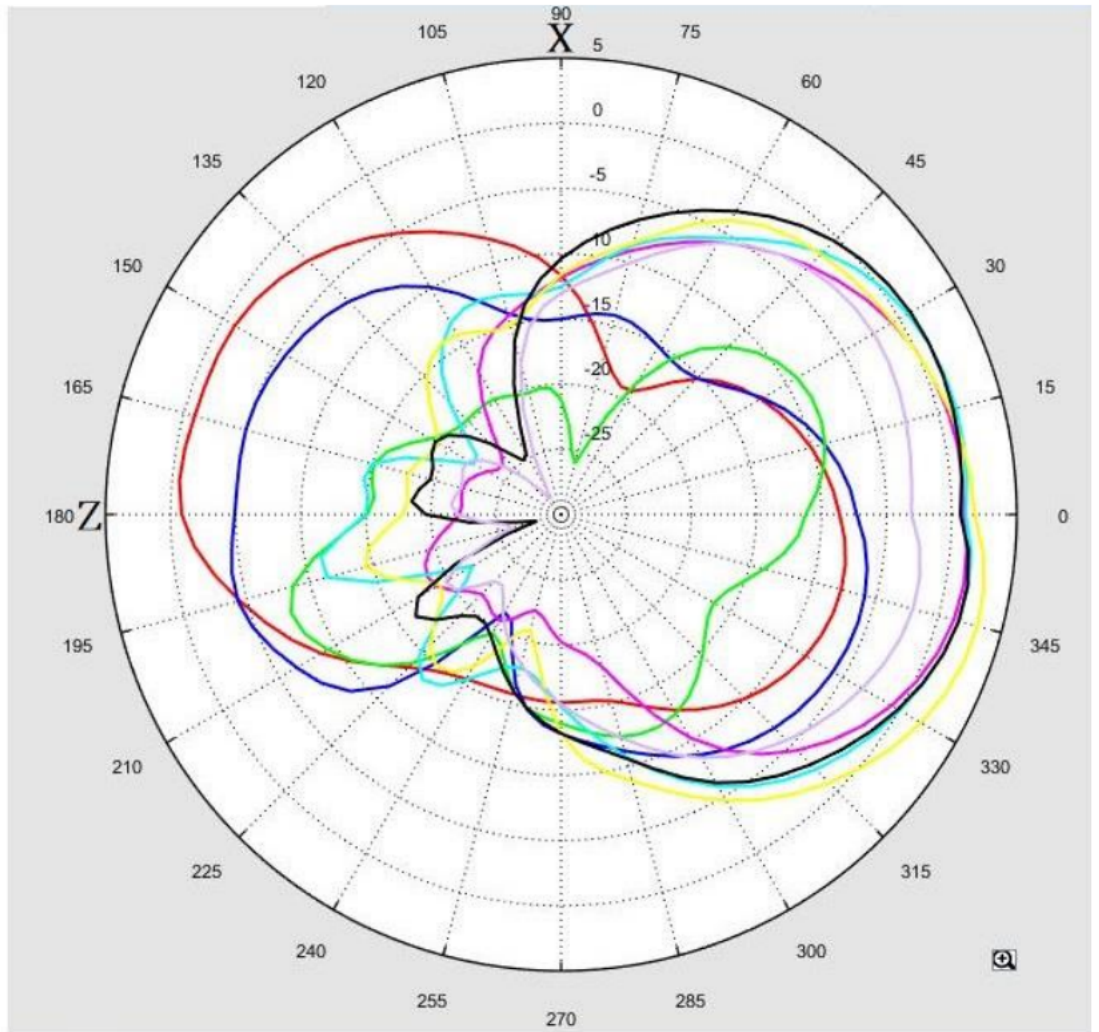


VSWR – Voltage standing wave ratio [-]



2D RADIATION PATTERN

Freq. / Chan.	Color
690MHz	Red
824MHz	Blue
960MHz	Green
1.71GHz	Magenta
1.88GHz	Cyan
2.17GHz	Yellow
2.6GHz	Black
2.7GHz	Purple



Frequency [MHz]	S_{11} [dB]	VSWR [-]	Gain [dBi]	Efficiency [%]
690	-13.48	1.53	-1.99	14.03
824	-9.51	2.04	-3.44	11.67
960	-7.77	2.37	-8.28	3.91
1710	-12.89	1.58	3.03	25.94
1880	-16.32	1.38	3.82	30.13
2170	-13.88	1.50	1.15	17.46
2600	-13.09	1.57	2.65	29.17
2700	-14.33	1.46	5.27	46.67

Different connector variants or cable lengths are available on request.

SECTRON s.r.o. Josefa Šavla 1271/12
709 00 Ostrava 9, Czech Republic

WWW.SECTRON.CZ
Tel.: +420 556 621 020