



# LTE ANTENNA

Antenna LTE MIMO Screw Mount R39,  
2x RG174U/1m, 2x SMA(m)

AO-ALTE-39DS1

SECTRON company offers a wide portfolio of LTE antennas with various versions differing in shape, level of gain and manner of attachment. SECTRON guarantees a compatible connection between an antenna and all antenna adaptors produced by SECTRON.



## BENEFITS

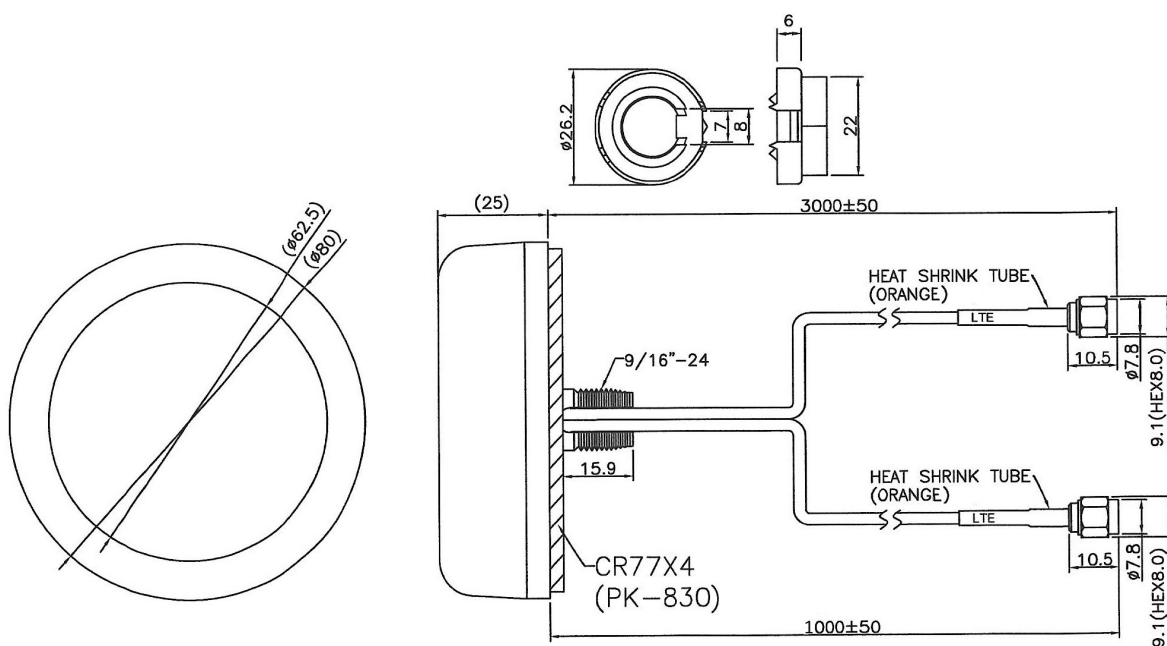
- Anti-vandal design
- MIMO antenna

## FEATURES

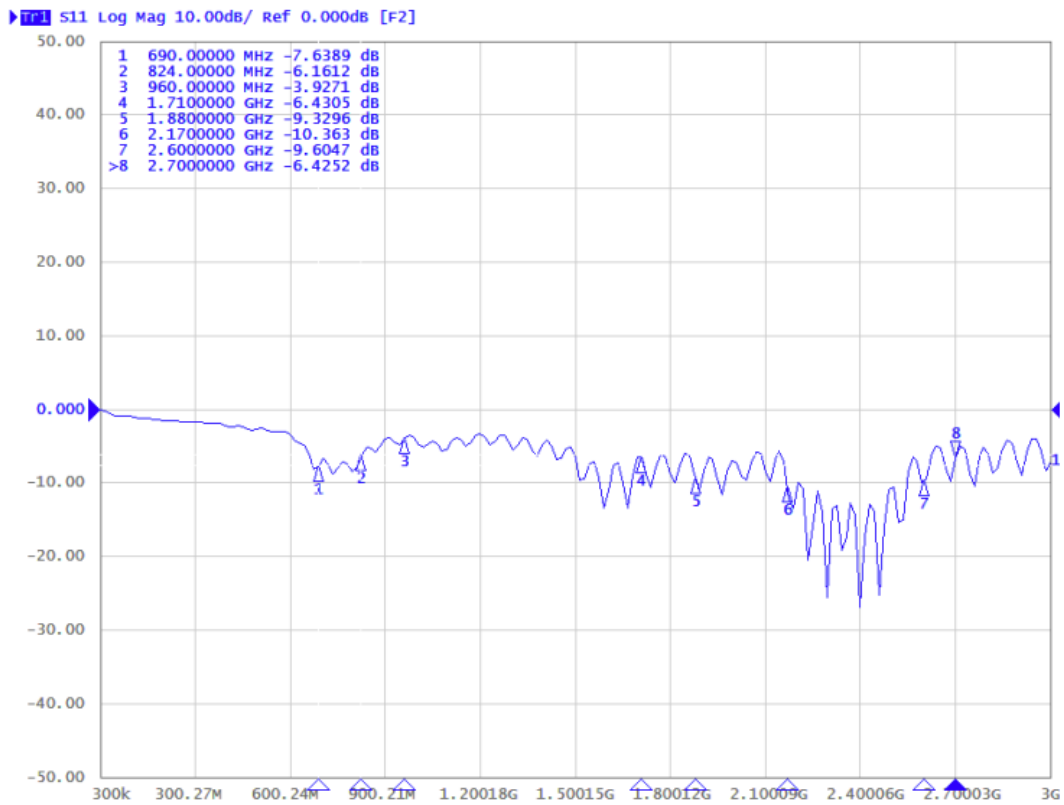
AO-ALTE-39DS1

Technology	LTE
Frequency bands	700/800/900/1700/1800/1900/2100/2600/2700 MHz
Bandwidth	-
Gain	4 dBi
VSWR	<3.0:1
Impedance	50 Ohm
Directivity	Omnidirectional
Beam angle	H 360° V 30°
Polarization	Linear
Maximum input power	10 W
Power voltage	-
Dimensions	80 x 25 mm
Weight	127,41 g
Operating temperature	-30 to +90°C
Execution	External
Method of attachment	Mounting
Cable type	2 x RG174/U
The cable length	2 x 1 m
Connector type	2 x SMA(m)

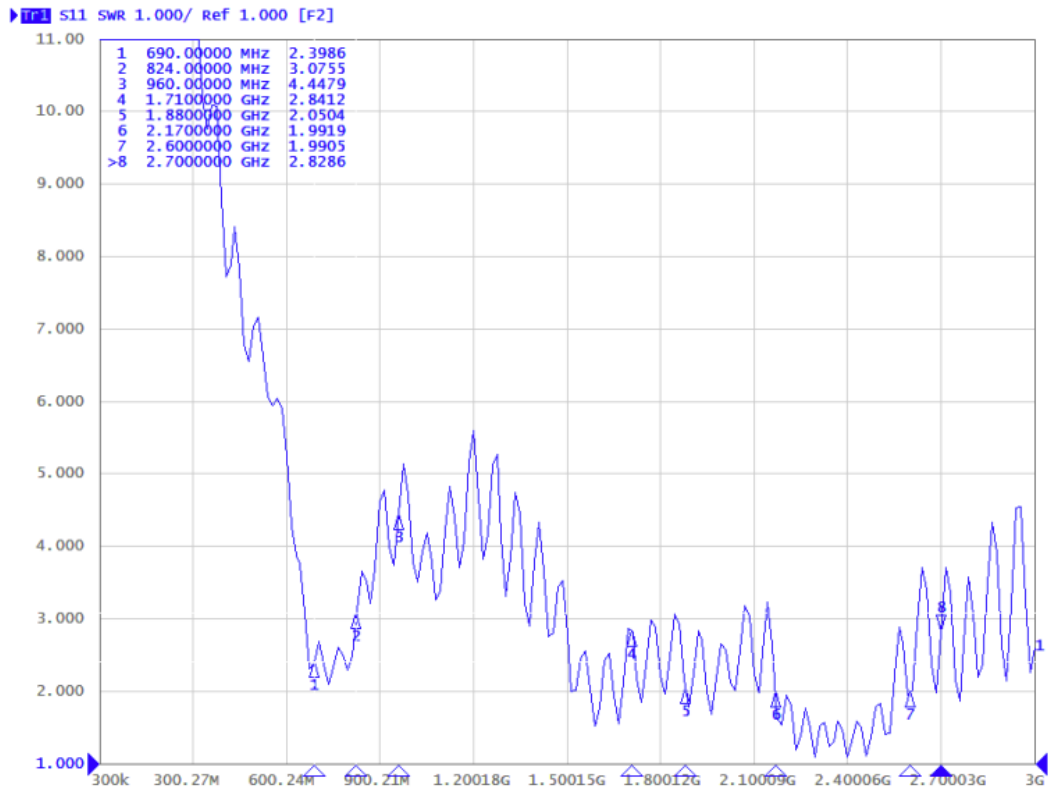
## DRAWING



$S_{11}$  - Return Loss [dB]

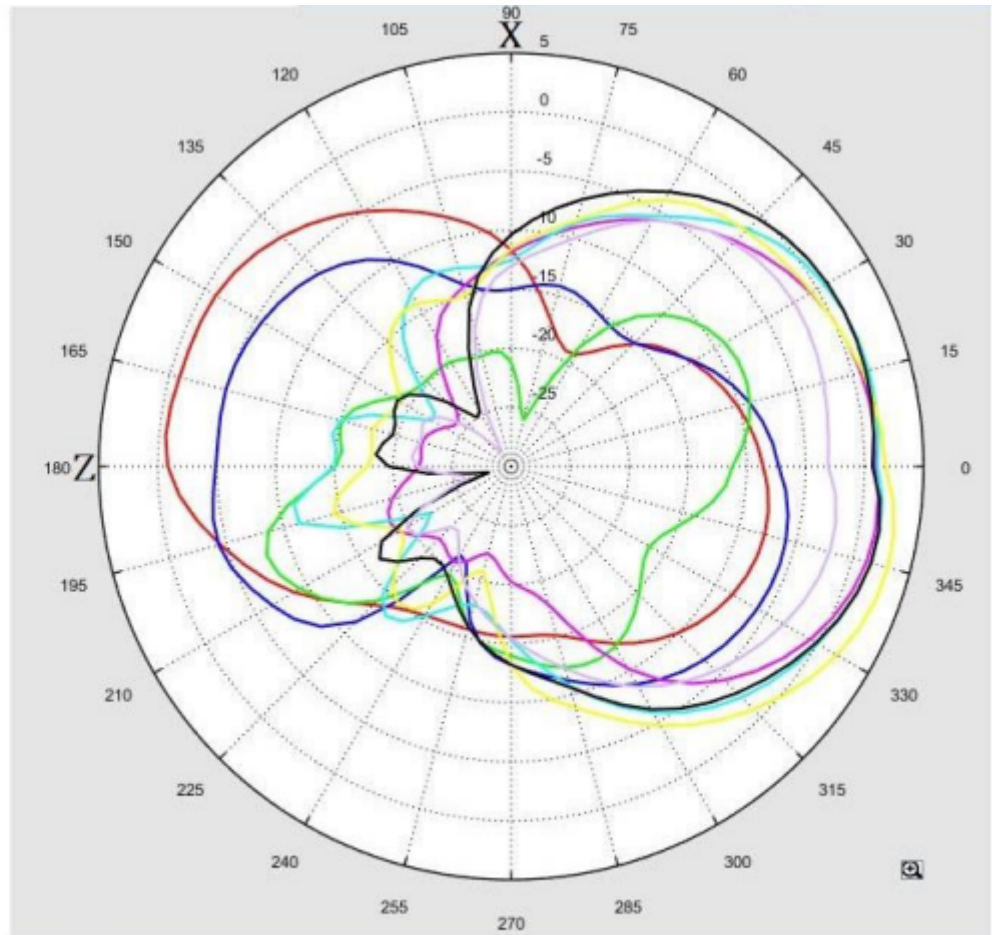


VSWR - Voltage standing wave ratio [-]



2D RADIATION PATTERN

Freq. / Chan.	Color
690MHz	<span style="color: red;">█</span>
824MHz	<span style="color: blue;">█</span>
960MHz	<span style="color: green;">█</span>
1.71GHz	<span style="color: magenta;">█</span>
1.88GHz	<span style="color: cyan;">█</span>
2.17GHz	<span style="color: yellow;">█</span>
2.6GHz	<span style="color: black;">█</span>
2.7GHz	<span style="color: purple;">█</span>



Total\_Efficiency (%)

Frequency [MHz]	$S_{11}$ [dB]	VSWR [-]	Efficiency [%]	Gain [dBi]
690	7.63	2.39	16.26	-0.73
824	-6.16	3.07	13.65	-3.34
960	-3.92	4.44	5.19	-7.29
1710	-6.43	2.84	19.14	1.91
1880	9.32	2.05	26.55	3.36
2170	10.36	1.99	32.58	3.15
2600	-9.60	1.99	24.21	2.47
2700	6.42	2.82	12.11	-0.58

Different connector variants or cable lengths are available on request.

SECTRON s.r.o. Josefa Šavla 1271/12  
709 00 Ostrava 9, Czech Republic

WWW.SECTRON.CZ  
Tel.: +420 556 621 020