



LTE/GPS/WiFi ANTENNA

Antenna LTE/GPS/WiFi MIMO Screw
Mount E604LW,
4x FAKRA(f), 4x .100/4.5m

AO-AKOM-E604LGWM-4F

SECTRON company offers a wide portfolio of LTE/GPS/WiFi antennas with various versions differing in shape, level of gain and manner of attachment. SECTRON guarantees a compatible connection between an antenna and all antenna adaptors produced by SECTRON.



BENEFITS

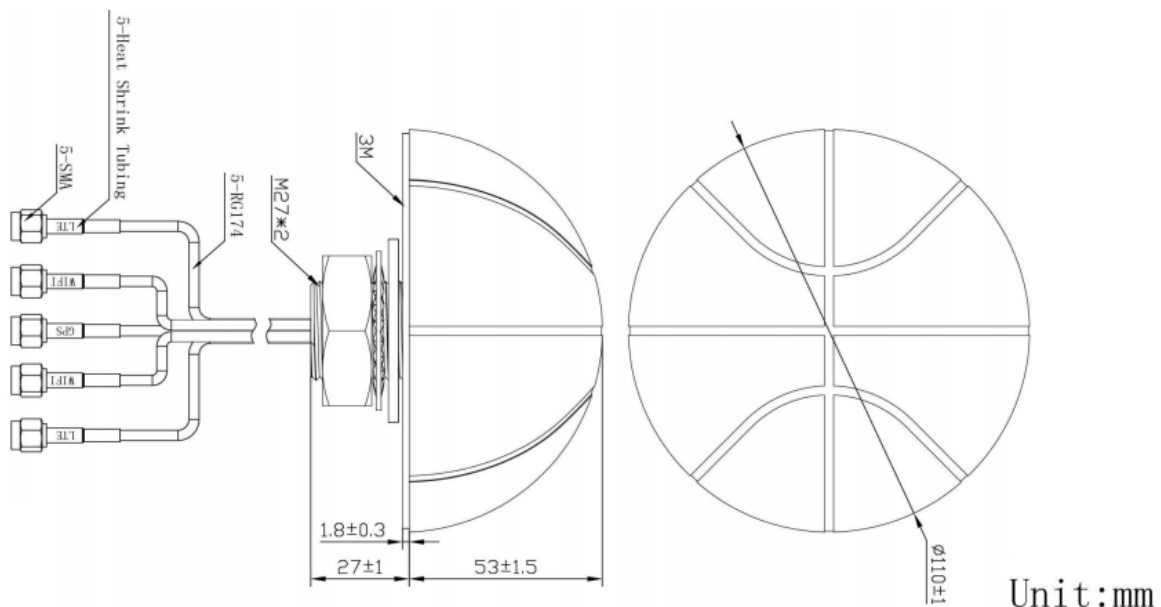
- Low VSWR
- LTE/GPS/WiFi technology
- MIMO
- IP67

FEATURES

AO-AKOM-E604LGWM-4F

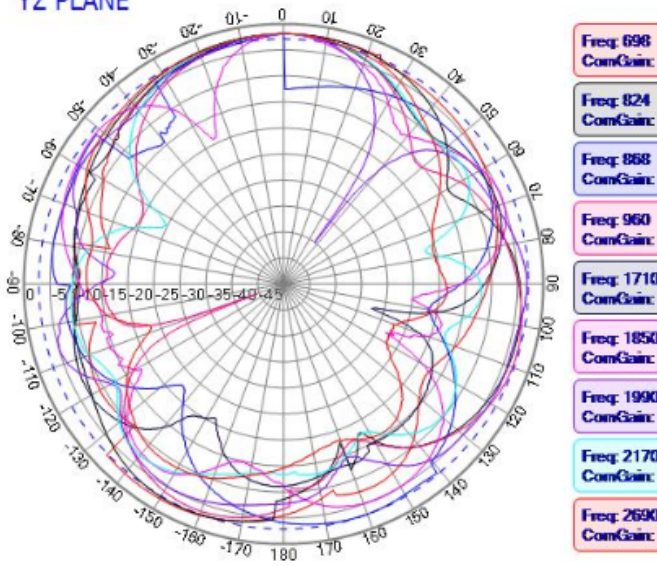
Technology	LTE/GPS/WiFi
Frequency bands	698-960/1710-2690;1575.42;2400-2483.5/4900-5825 MHz
Bandwidth	-
Gain	3/28±2/2 dBi
VSWR	<1.7:1/ <2.0:1 / <1.6:1
Impedance	50 Ohm
Directivity	Omnidirectional
Beam angle	Attached graphs bellow
Polarization	Linear/R.H.C.P/Linear
Maximum input power	10 W
Power voltage	3.0-5 VDC
Dimensions	∅ 110.0 x 80.0 mm
Weight	- g
Operating temperature	-40 to +85 °C
Execution	External
Method of attachment	Screw mount
Cable type	.100
The cable length	4 x 4.5 m
Connector type	4 x FAKRA(f)
Certification	RoHS
IP code	IP67
Material	ABS

DRAWING

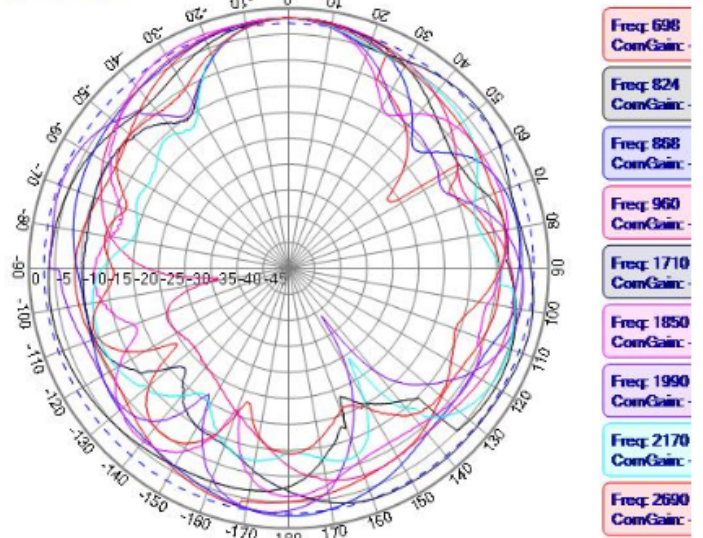


RADIATION PATTERN - 2D

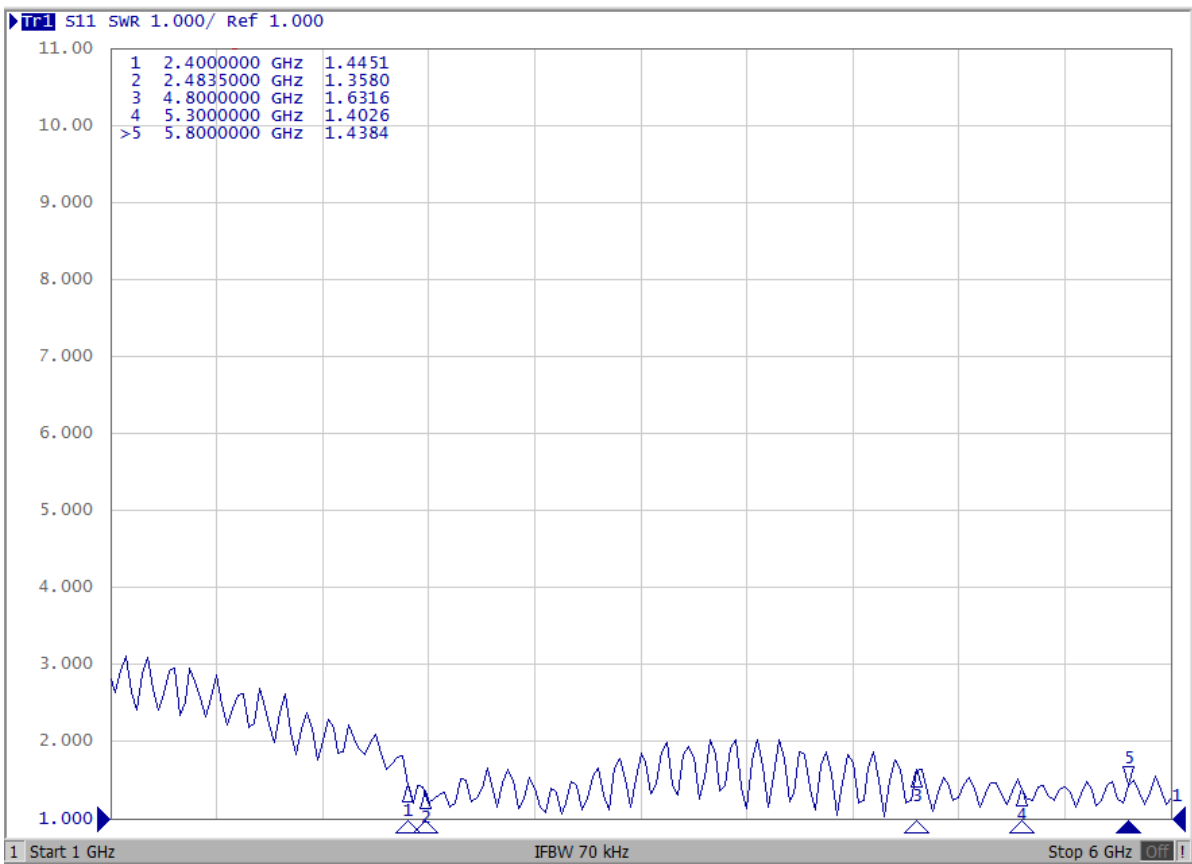
YZ PLANE

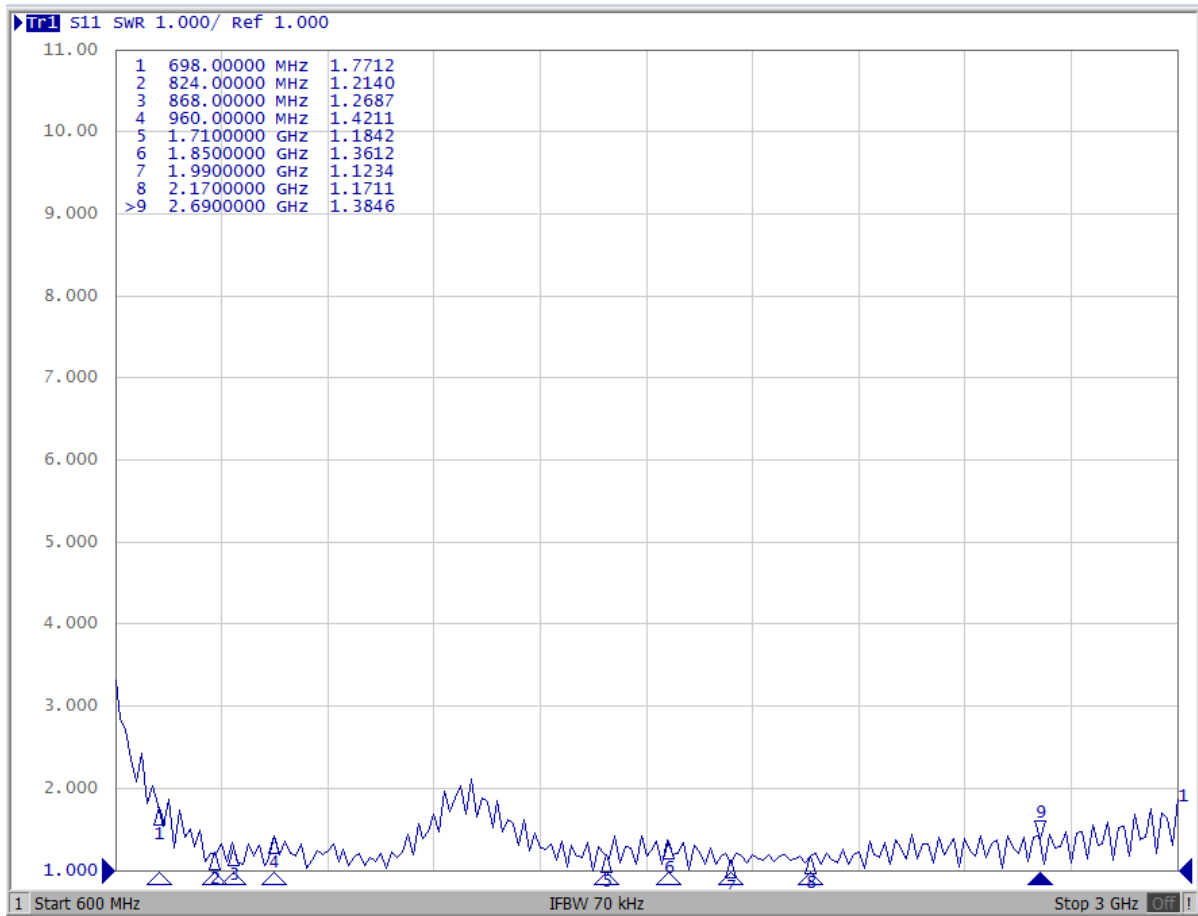


XZ PLANE



VSWR – Voltage standing wave ratio [-] (WIFI)



VSWR – Voltage standing wave ratio [-] (LTE)**VARIANTS**

Different connector variants or cable lengths are available on request.

CONTACTS

SECTRON s.r.o. Josefa Šavla 1271/12
709 00 Ostrava 9, Czech Republic

WWW.SECTRON.CZ
Tel.: +420 556 621 020