



## LTE/GPS ANTENNA

Antenna 2LTE/GPS Screw Mount  
B046LM, 3x SMA(m), 3x RG174/3m,  
IP67

AO-AKOM-B046LMS

SECTRON company offers a wide portfolio of LTE/GPS antennas with various versions differing in shape, level of gain and manner of attachment. SECTRON guarantees a compatible connection between an antenna and all antenna adaptors produced by SECTRON.



### BENEFITS

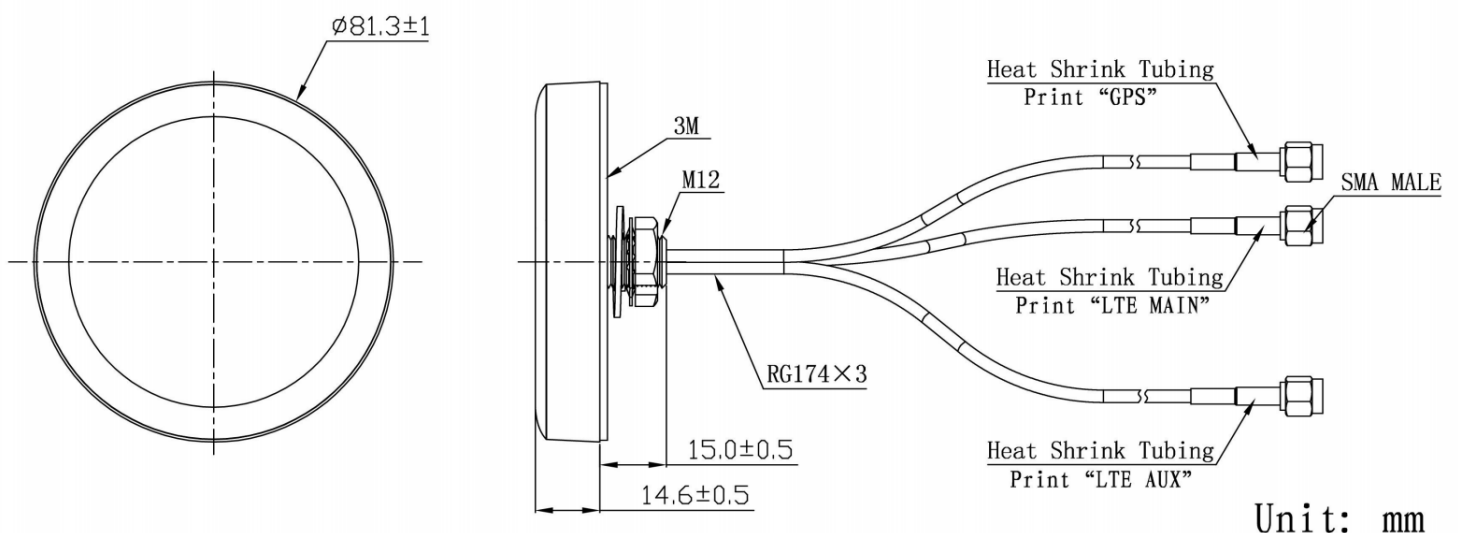
- Low VSWR
- IP67
- Optimized radiation pattern

## FEATURES

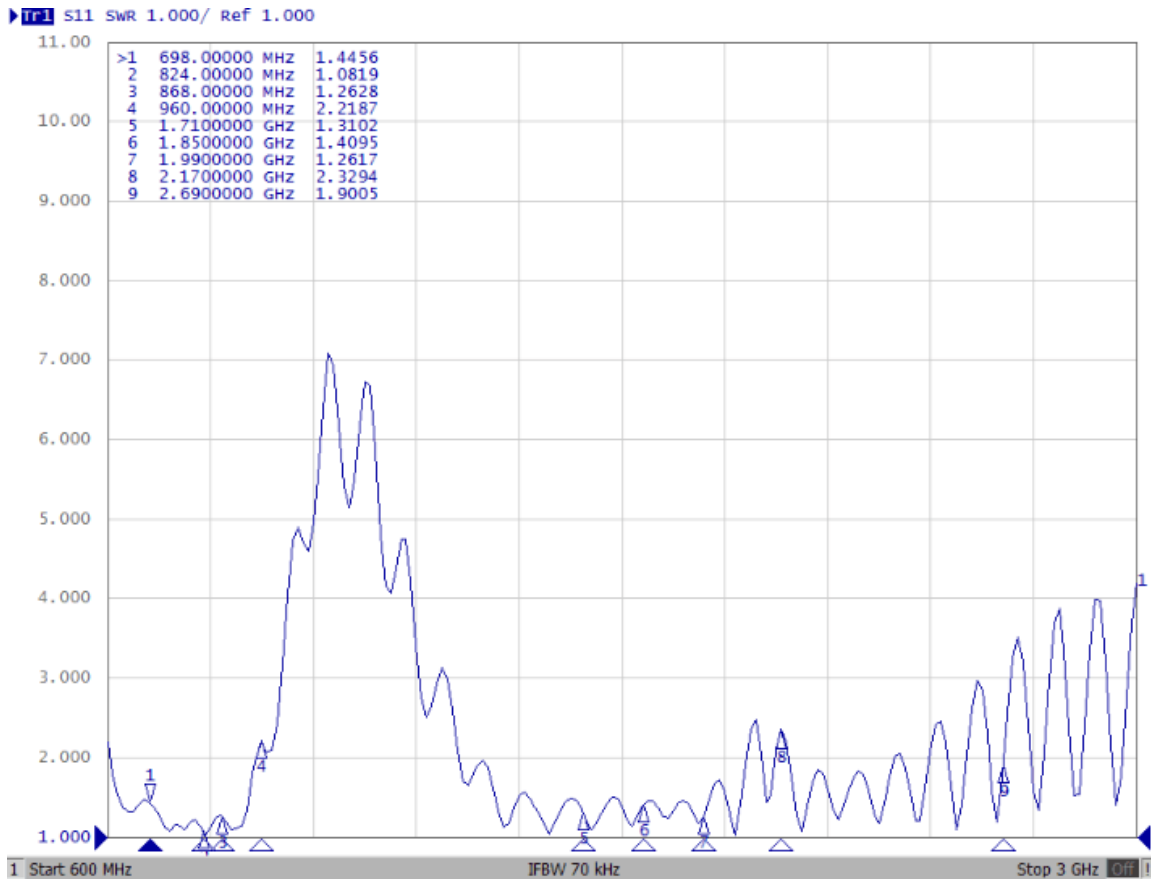
AO-AKOM-B046LMS

Technology	2x LTE/GPS
Frequency bands	698-960MHz;1710-2690/1575.42 MHz
Bandwidth	-
Gain	2.5/2.0/0 dBi
LNA gain	30 dB
VSWR	<2.0:1/<2.0:1/<1.5:1
Impedance	50 Ohm
Directivity	Omnidirectional/Directional
Polarization	Linear/R.H.C.P
Maximum input power	10 W
Power voltage	3 - 5 V
Dimensions	∅ 81.3 x 29.6 mm
Weight	200.39 g
Operating temperature	-40 to +85 °C
Execution	External
Method of attachment	Screw mount
Cable type	RG174/U
The cable length	3 m
Cable connector type	3x SMA(m)
Material	ABS
Certification	RoHS, ISO9001, ISO14001
IP code	IP67

## DRAWING

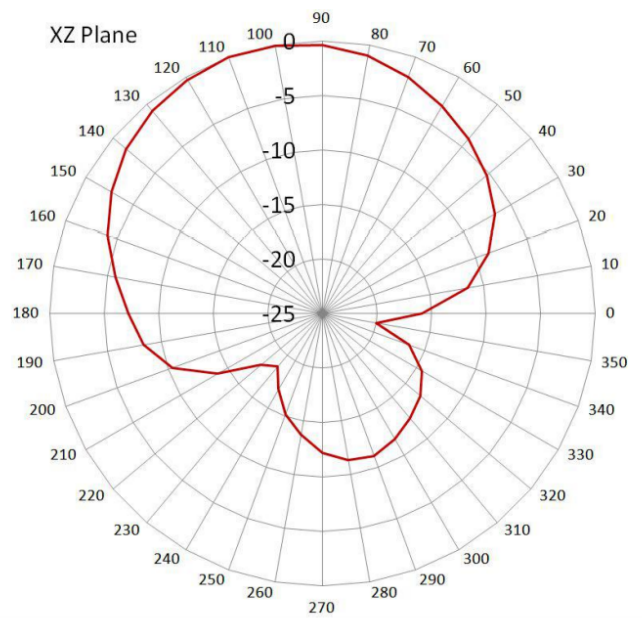
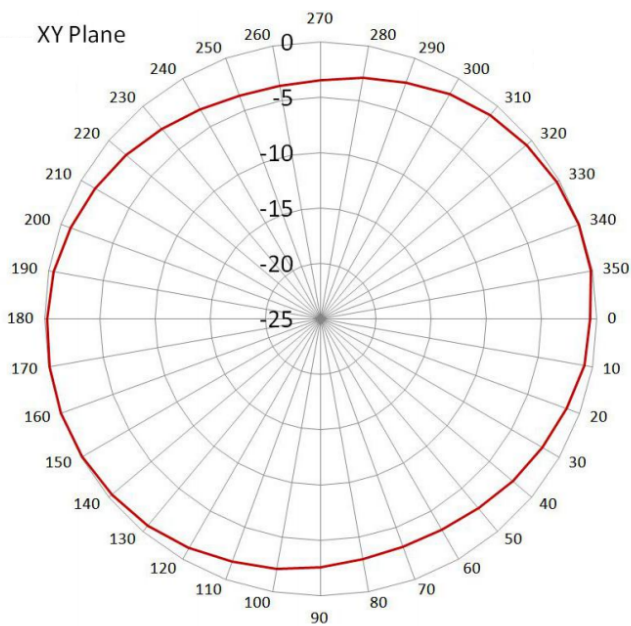


**VSWR – Voltage standing wave ratio [-]**



**2D radiation pattern**

**GPS Antenna**



Frequency [MHz]	$S_{11}$ [dB]	VSWR [-]	Gain [dBi]
900	-21.23	1.19	2.0
1800	-16.54	1.35	1.8
2100	-10.16	1.90	2.4
2500	-10.88	1.80	2.3
2700	-10.16	1.90	2.5
1575.42	-13.98	1.50	30.0

## VARIANTS

Different connector variants or cable lengths are available on request.

## CONTACTS

SECTRON s.r.o. Josefa Šavla 1271/12  
709 00 Ostrava 9, Czech Republic

WWW.SECTRON.CZ  
Tel.: +420 556 621 020