



GSM ANTENNA

Antenna GSM Magnet Mount 50,
5dBi, MCX90 (m), RG174/ 1m

AO-AGSM-MG5M1

SECTRON company offers a wide portfolio of GSM antennas with various versions differing in shape, level of gain and manner of attachment. SECTRON guarantees a compatible connection between an antenna and all antenna adaptors produced by SECTRON.

BENEFITS

- Easy installation
- Gain
- Optimized radiation pattern

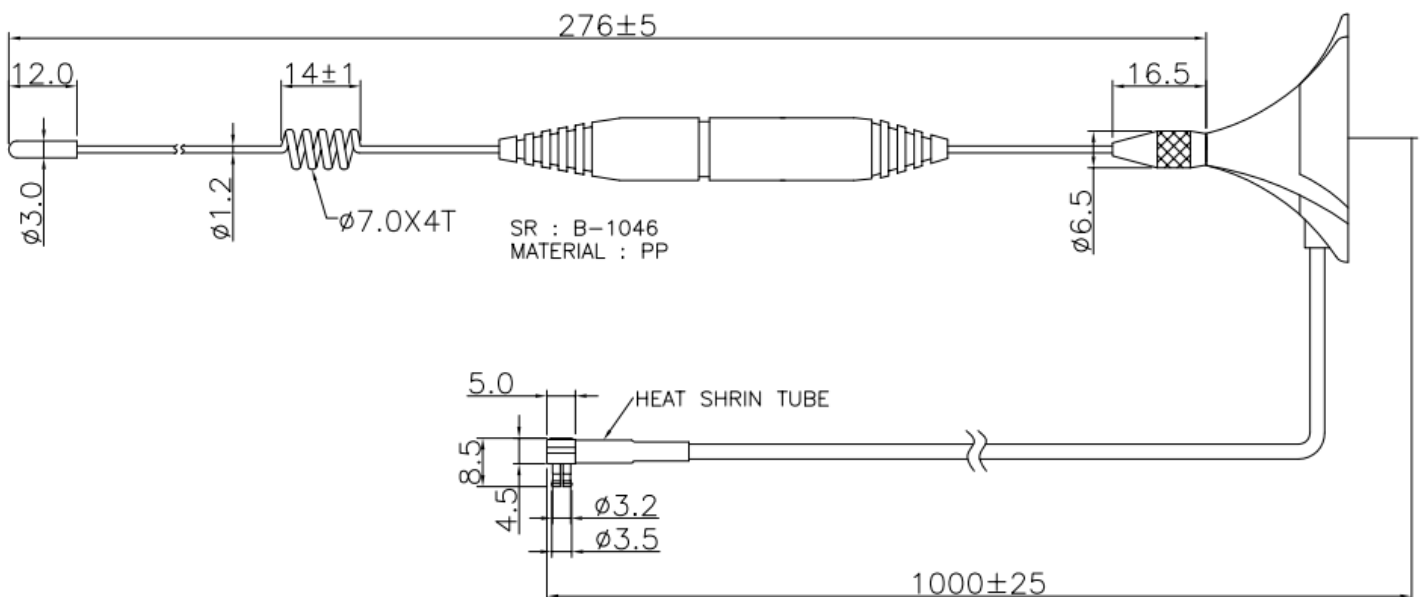


FEATURES

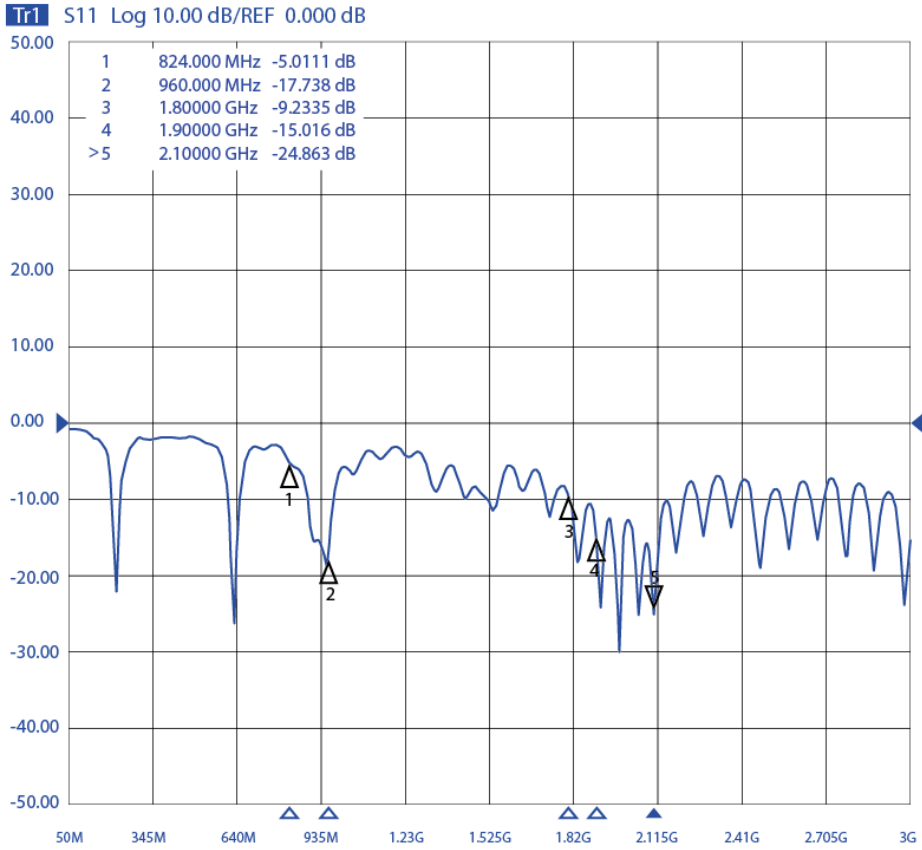
AO-AGSM-MG5M1

Technology	GSM/UMTS
Frequency bands	824/960/1800/1900/2100 MHz
Bandwidth	-
Gain	5 dBi
VSWR	<3.5:1
Impedance	50 Ohm
Directivity	Omnidirectional
Beam angle	H-360°, V-30°
Polarization	Linear
Maximum input power	10 W
Power voltage	-
Dimensions	Base $\varnothing 40$ x Rod 276 mm (300 mm total)
Weight	35.06 g
Operating temperature	-40 to +85 °C
Execution	External
Method of attachment	Magnet mount
Cable type	RG174/U
The cable length	1 m
Connector type	MCX(m)90°
Certification	RoHS, ISO9001, ISO14001
Material	PP

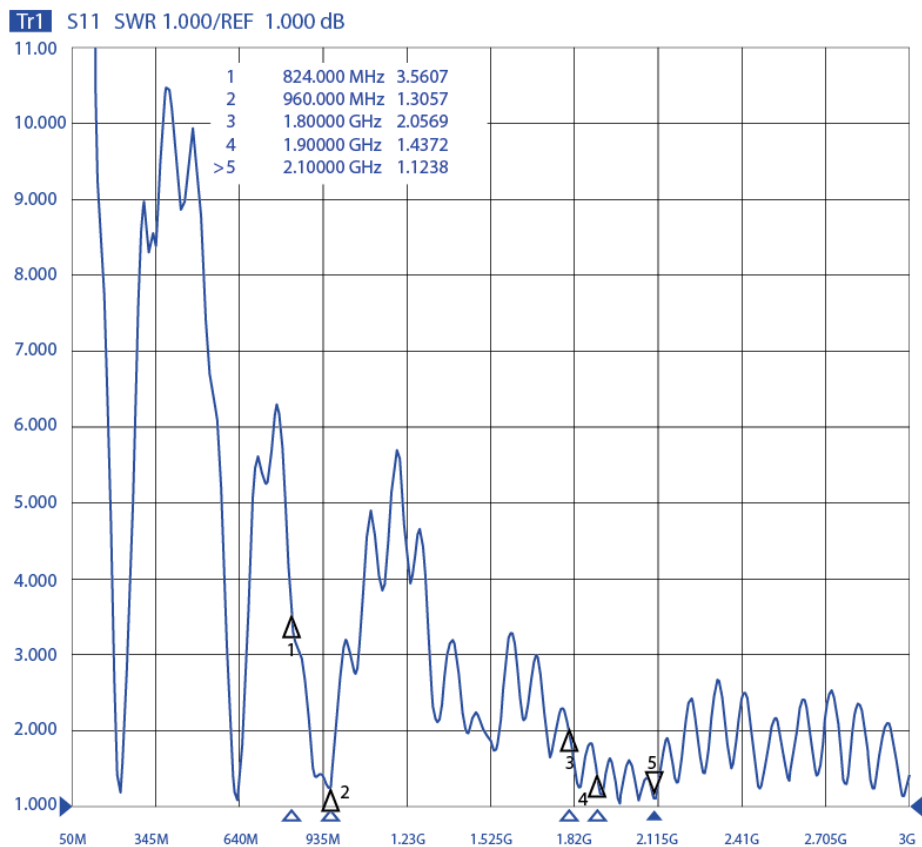
DRAWING



S_{11} - Return Loss [dB]



VSWR – Voltage standing wave ratio [-]



Frequency [MHz]	S_{11} [dB]	VSWR [-]
824	-5.01	3.56
960	-17.73	1.30
1800	-9.23	2.05
1900	-15.01	1.43
2100	-24.86	1.12

VARIANTS

Different connector variants or cable lengths are available on request.

CONTACTS

SECTRON s.r.o. Josefa Šavla 1271/12
709 00 Ostrava 9, Czech Republic

WWW.SECTRON.CZ
Tel.: +420 556 621 020