



## WIFI ANTENNA

Antenna WiFi Dual-band OMNI  
Pole Mount 245807, 2.4/5.8 GHz,  
4.2 dBi, N(f), White

AO-1GF-245807

SECTRON company offers wide portfolio of WIFI antennas with various versions differing in shape, level of gain or attachment manner. SECTRON guarantees a compatible connection between antenna and all antenna adaptors produced by SECTRON.



### BENEFITS

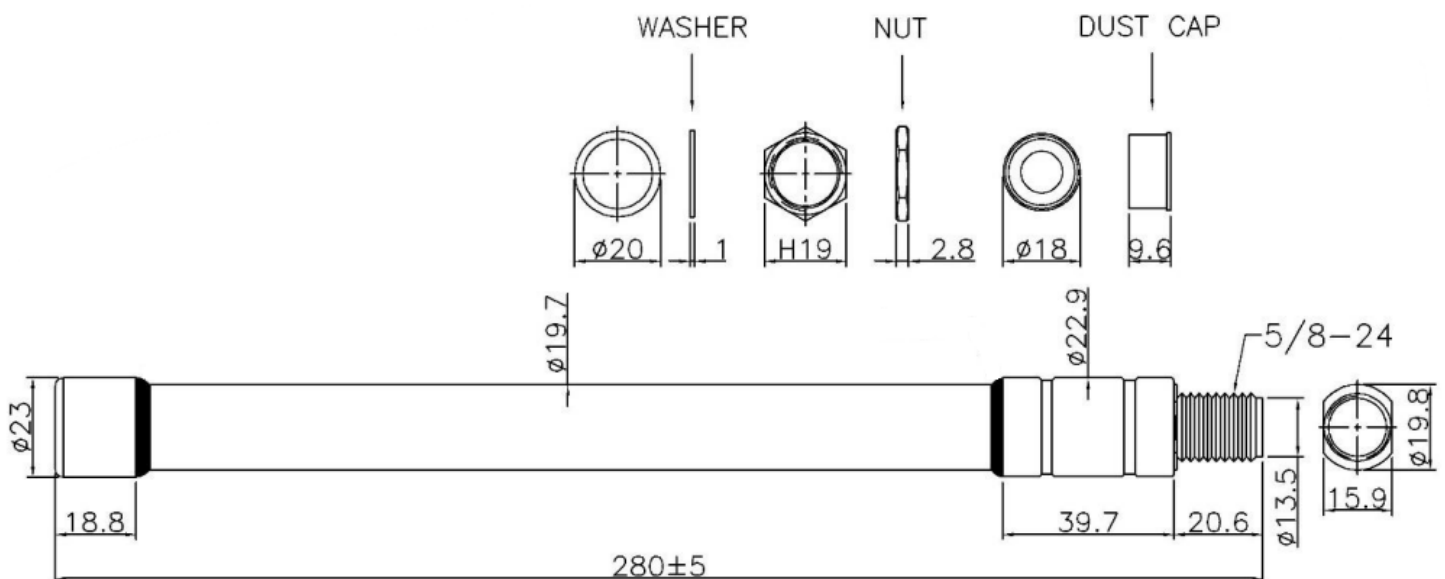
- LOW VSWR
- HIGH GAIN

## FEATURES

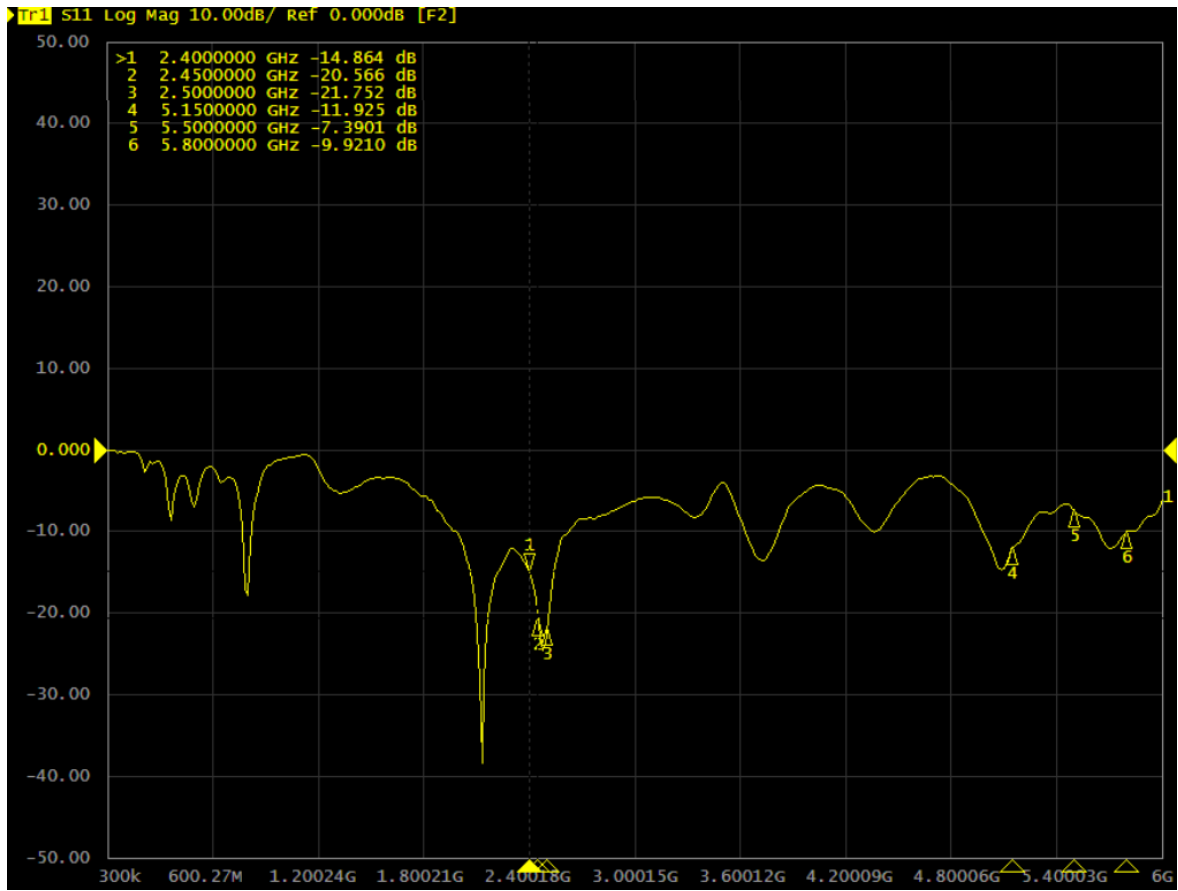
AO-1GF-245807

Technology	WIFI
Frequency bands	2400/5800 MHz
Bandwidth	-
Gain	4.2 dBi
VSWR	<2.5:1
Impedance	50 Ohm
Directivity	Omnidirectional
Beam angle	H 360° V 30°
Polarization	Linear
Maximum input power	-
Power voltage	
Dimensions	Ø22.9 x 280 mm
Weight	375 g
Operating temperature	-40 °C to +80 °C
Execution	External
Method of attachment	Screw mount
Connector type	N(f)
Certification	RoHS

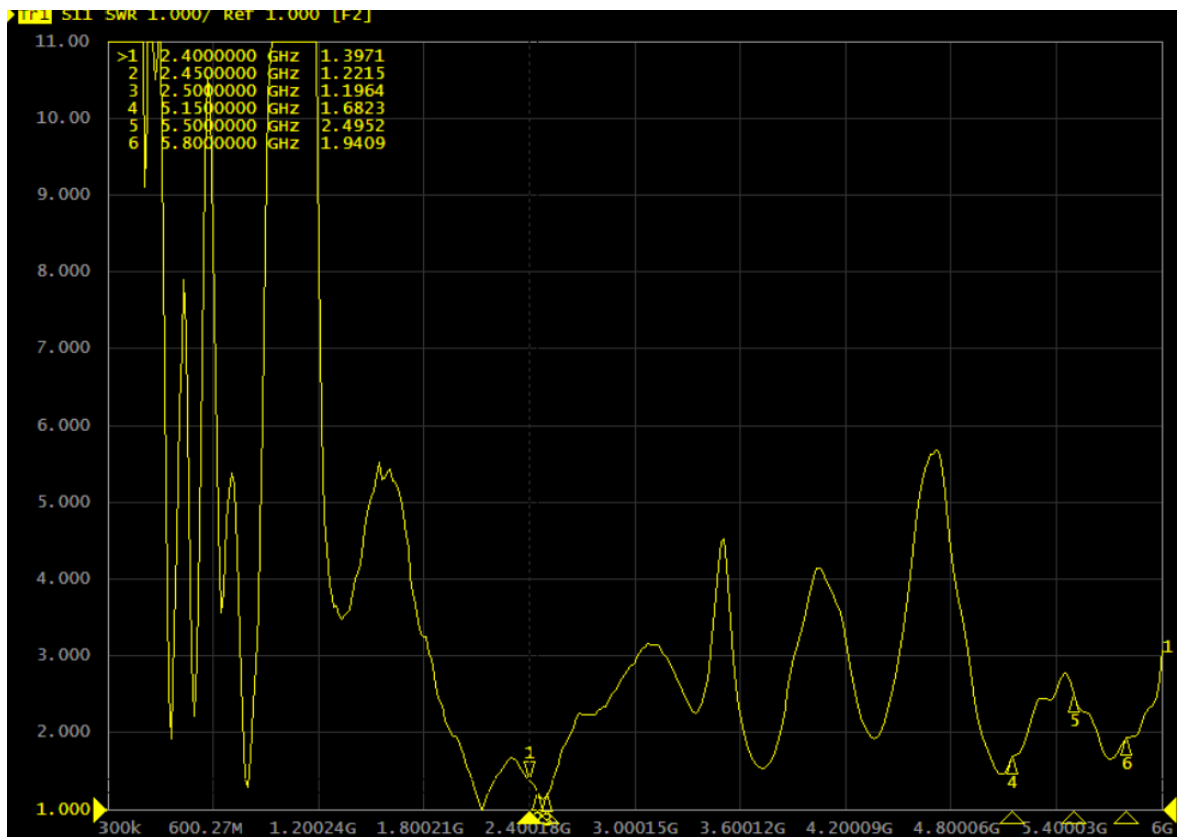
## DRAWING



$S_{11}$  - Return Loss [dB]

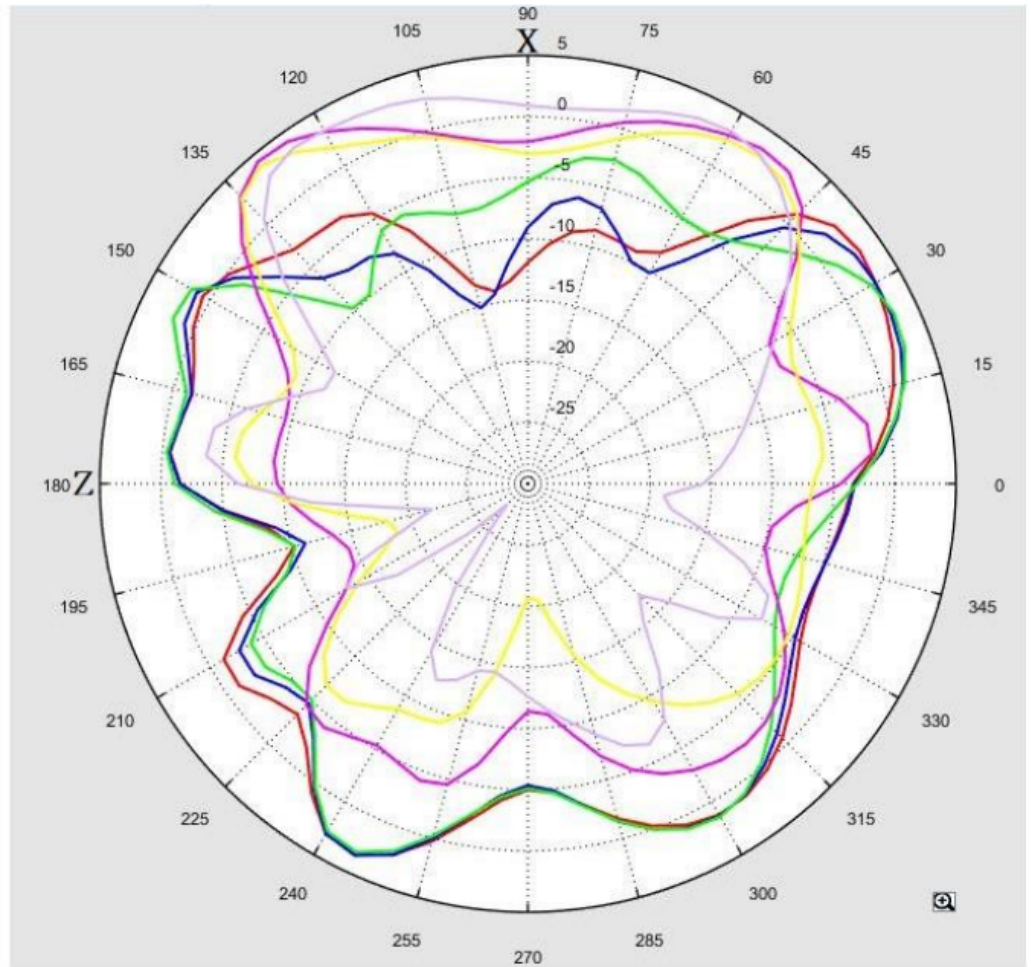


VSWR – Voltage standing wave ratio [-]



2D RADIATION PATTERN

Freq. / Chan.	Color
2.4GHz	Red
2.45GHz	Blue
2.5GHz	Green
5.15GHz	Magenta
5.5GHz	Yellow
5.8GHz	Purple



Frequency [MHz]	$S_{11}$ [dB]	VSWR [-]	Gain [dBi]	Efficiency [%]
2400	-14.86	1.39	3.28	67.76
2450	-20.56	1.22	3.03	65.01
2500	-21.75	1.19	3.21	64.12
5150	-11.92	1.68	3.42	52.6
5500	-7.39	2.49	3.07	45.81
5800	-9.92	1.94	4.21	57.28

Different connector variants or cable lengths are available on request.

SECTRON s.r.o. Josefa Šavla 1271/12  
709 00 Ostrava 9, Czech Republic

WWW.SECTRON.CZ  
Tel.: +420 556 621 020